

# HSE ROHS

REV	ECN NO	DESCRIPTION	DATE	NAME
A		NEW		

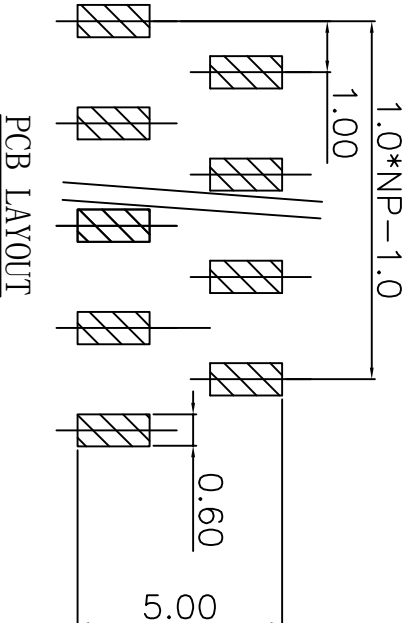
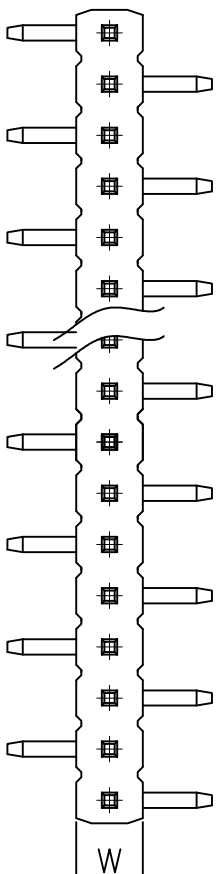
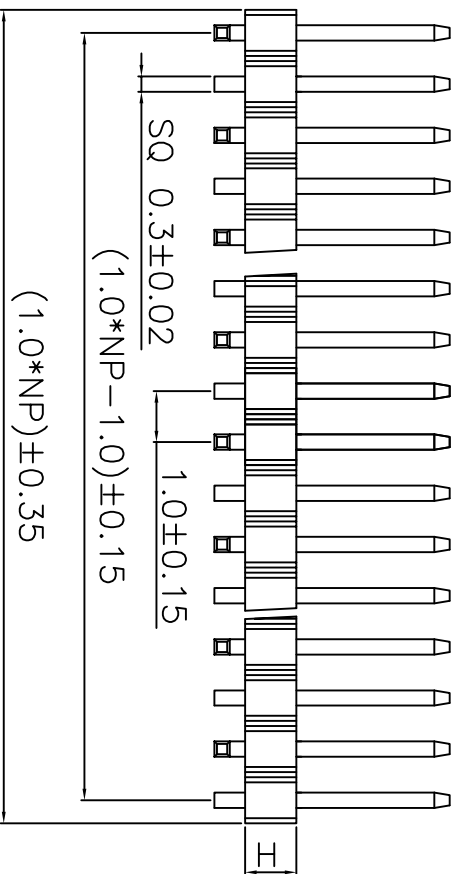
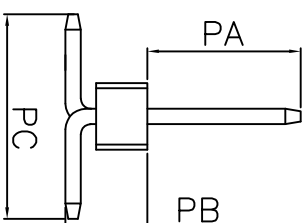
### Specifications

1. Current Rating: 0.75Amps
2. Insulation Resistance: 1000 MΩ min.
3. Dielectric withstanding Voltage: 500V AC/DC
4. Contact Resistance: 30 mΩ max.
5. Operating Temperature: -40°C to +105°C
6. Contact Material: Brass
7. Insulation Material: As follows, UL94V-0, Black
8. Plated: Au Over Ni

### Ordering Information

L201 XX-XX 2 X XX X

Insulation Height\*Width (H\*W) Per Row: 1-50P  
 Option: 1=Au1" Gold 2=PPS 3=NV6T 4=LCP 5=NV66 6=Customized 7=NV46 8=NV9T  
 Contract Plating: 01-69  
 0=0.8" Gold 1=Au1" Gold 2=Au1.5" Gold 3=Au2" Gold 4=Au3" Gold 5=Au5" Gold 6=Customized 7=Gold/Tin 8=Tin  
 Packing: A=PE Bag B=Tube C=Tray D=Reel



Dimension antitheses list				
ITEM	PC	PB	PA	H
Standard	4.00	1.60	3.00	1.0
Alternative				

**LD CONN 东莞连大精密制品有限公司**  
 Dongguan Lianda Precision Products Co., LTD

STANDARD TOLERANCE (EXCEPT SPECIFIED)	ANGLES
LINER	0.° ±3°
	.0 ±0.30 0.° ±2°
	.00 ±0.20 .0° ±1°
	.000 ±0.10 .00° ±1°

TITLE	PHI. 0mm Pin Header Single Row SMT	DRAWN BY	YTT	16.02.03
PART NO	L20110-XX2XXXXX	CHECKED BY		
DRAWING NO		APPROVED BY		
SCALE	1:1	UNITE	mm	PAGE 1/1
				SIZE A4