

HSF RoHS

REV	ECN NO	DESCRIPTION	DATE	NAME
A		NEW		

Specifications

- 1.Current Rating:2Amps
- 2.Insulation Resistance:1000 mΩ min.
- 3.Dielectric withstanding Voltage: 500V AC/DC
- 4.Contact Resistance:20 mΩ max.
- 5.Operating Temperature:-40°C to+105°C
- 6.Contact Material: Brass
- 7.Insulation Material:Asfollows,UL94V-0,Black
- 8.Plated: Au Over Ni

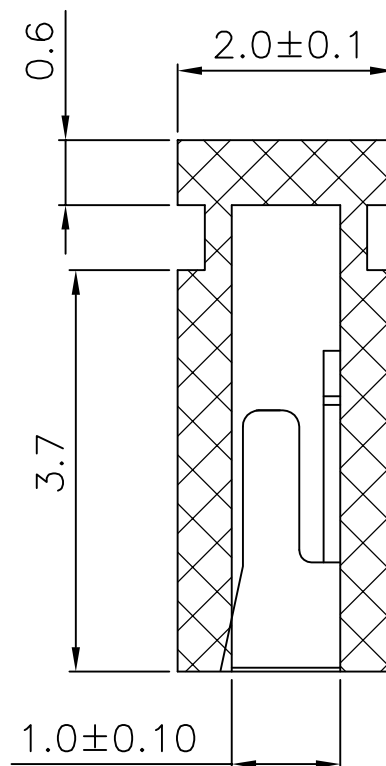
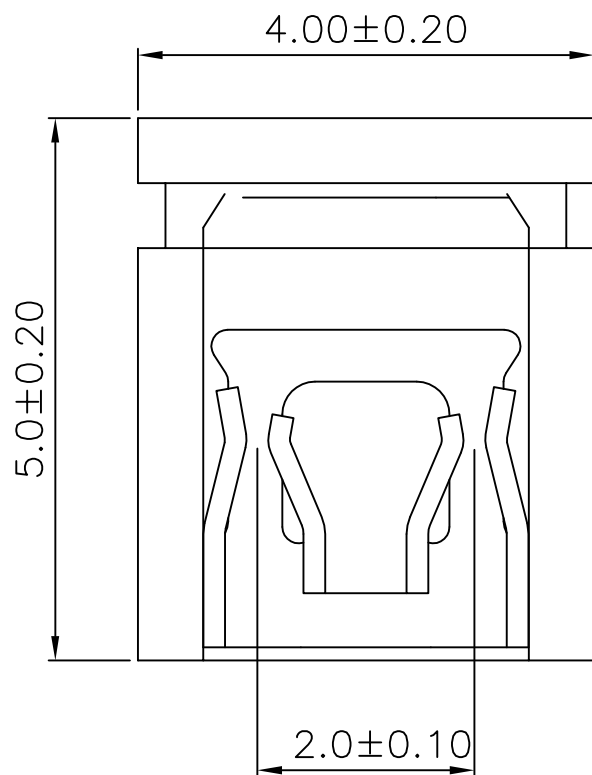
Ordering Information

L481XX - X X XX X

NO. of Pins
Per Row:
02=2P

Contact
Plating
0=0.8" Gold
1=Au1" Gold
2=Au1.5" Gold
3=Au2" Gold
4=Au3" Gold
5=Au5" Gold
6=Customized
7=Gold/Tin
8=Tin
A=NI

Serial NO.
01-69
Packing
A=PE Bag
B=Tube
C=Tray
D=Reel



LDCONN 东莞连大精密制品有限公司
DongGuan LianDa Precision Products Co., LTD

STANDARD TOLERANCE
(EXCEPT SPECIFIED)

LINER	ANGLES
.0 ±0.30	0.° ±3°
.00 ±0.20	.0° ±2°
.000 ±0.10	.00° ±1°

TITLE	Short circuit cap PH2.0 H5.0 shut up	DRAWN BY	YTT	16.02.03
PART NO	L48102-0AXXA	CHECKED BY		
DRAWING NO		APPROVED BY		
SCALE	1:1	UNIT	mm	PAGE 1/1
				SIZE A4