

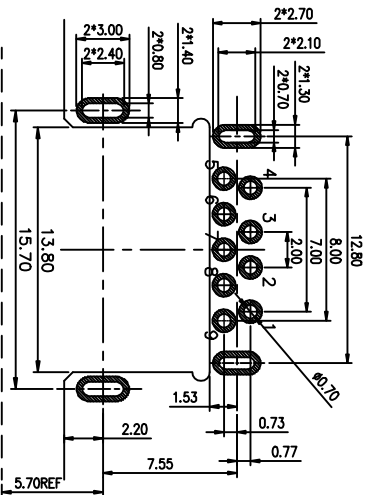
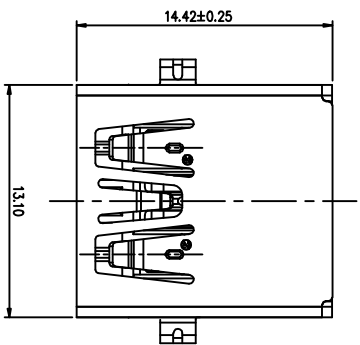
REV	ECN NO	DESCRIPTION	DATE	NAME
A		NEW		

- NOTE:
- ELECTRICAL CHARACTERISTICS:
 - Current Rating: 1.5A
 - Insulation Resistance: 1000MΩ Min
 - Contact Resistance: 30mΩ Max
 - Dielectric Withstanding Voltage: 500V AC
 - OPERATING TEMPERATURE: -30°C ~ 85°C
 - MECHANICAL CHARACTERISTICS:
 - MATING FORCE: 35 N Max
 - UNMATED FORCE: 10 N Min INITIAL; 8 N Min AFTER TEST
 - DURABILITY: 5,000 CYCLES
 - PLATING SPECIFICATION:
 - CONTACTS: Ni 50μ" MIN, UNDER PLATED, GOLD FLASH PLATED ON THE MATING AREA OF CONTACT.
 - MATTE Sn 100μ" MIN, PLATED ON THE SOLDER TALL.
 - FRONT SHELL: Ni 50μ" MIN, UNDER PLATED OVER ALL.

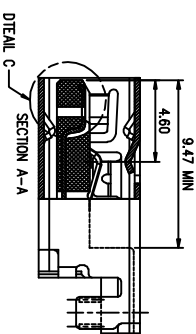
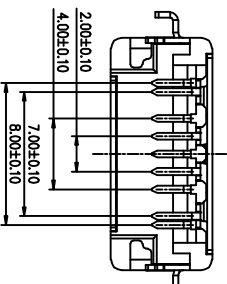
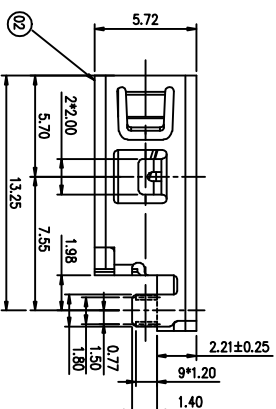
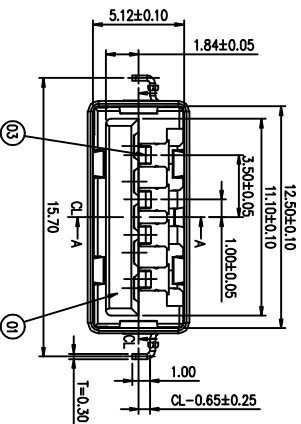
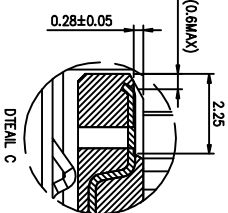
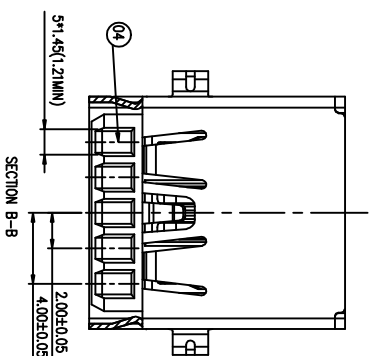
Ordering Information

L751XX -X X XX X

- 沉板高度 3.0
- 3.0 3.2 3.4 3.5 3.6 3.8 3.9 4.0 4.9 5.0 -0.65
- 0.180° 1.90° 2. SMT
1. 黑色
2. 白色
3. 蓝色
- A 焊接
B 管接
C 盘接
D 卷接
- 流水码



TOLERANCE: ±0.05, THICKNESS: 1.2mm
RECOMMENDED PCB LAYOUT
(TOP VIEW)



Pin #	SIGNAL NAME	DESCRIPTION	MATING SEQUENCE
1	VBUS	POWER	SECOND
2	D-	USB 2.0	THIRD
3	D+	DIFFERENTIAL PAIR	
4	GND	GROUND FOR POWER RETURN	SECOND
5	DATA_SSP2-	SUPER SPEED RECEIVER	LAST
6	DATA_SSP2+	DIFFERENTIAL PAIR	
7	GND_DRAIN	GROUND FOR SIGNAL RETURN	
8	DATA_SSP1-	SUPER SPEED TRANSMITTER	
9	DATA_SSP1+	DIFFERENTIAL PAIR	
Shell	Shell	CONNECTOR METAL SHELL	FIRST

ITEM	DESCRIPTION	QTY	MATERIAL	REMARK
04	M23-041-F1100198	1	COPPER ALLOY	T=0.20mm
03	M23-041-F1170188	1	COPPER ALLOY	T=0.25mm
02	M25-041-F0070258	1	SUS	T=0.3mm
01	M06-041-F1100218	1	THERMOPLASTIC	U194V-0; COLOR:BLACK COLOR:BLUE

TOLERANCE UNLESS OTHERWISE SPECIFIED

OTHERWISE SPECIFIED	ANGLES
LINER	±3°
0.0	±0.25
0.00	±0.25
0.000	±0.15
0.000	±1°

		DRAWN BY		Lai Junhui		2018.09.19	
		CHECKED BY					
PART NO		L75165-110XC		APPROVED BY			
DRAWING NO				SCALE		1:1	
TITLE		USB-F1 3.0 A 数据接收器		UNIT		mm	
PAGE		1/1		SIZE		A4	

东莞连大精密制品有限公司
Dongguan Lianba Precision Products Co., LTD