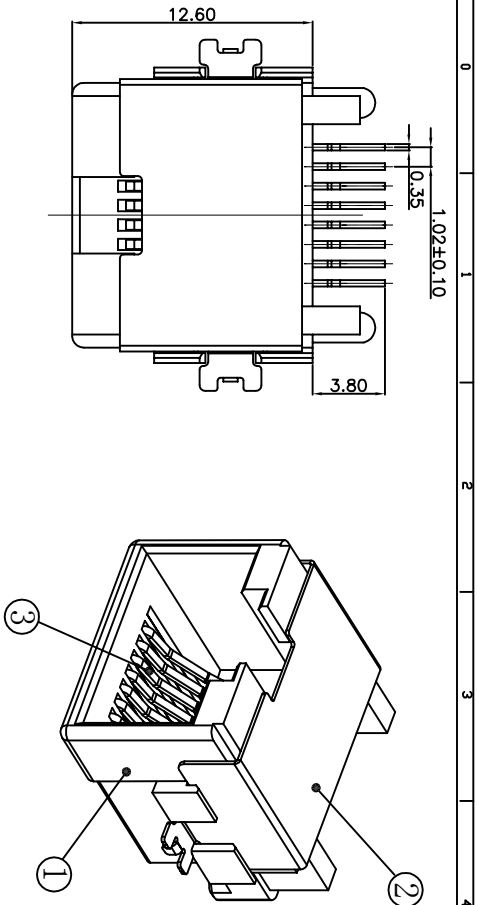


HSE ROHS

REV	ECN NO	DESCRIPTION	DATE	NAME
A		NEW		



- NOTE:
- 1: MATERIAL:
- <1> SHIELD: BRASS, T=0.2mm
 - <2> HOUSING: LCP, G/F FILLED, UL94V-0 RATED OR OTHER HIGH PERFORMANCE RESINS, COLOR IN BLACK.
 - <3> TERMINAL: PHOSPHOR BRONZE, T=0.30mm
- 2: CONTACT PLATED: GOLD
- 3: PCB TOLERANCE: DIMENSION ±0.05
- 4: RETENTION FORCE OF PLUG IN THE JACK IS 10 kgf (min).
- 5: SPECIFICATION:

DIELECTRIC STRENGTH: AC 500V FOR ONE MINUTE
 INSULATION RESISTANCE: 100M Ω min. AT DC 100V
 CONTACT RESISTANCE: 45m Ω max.
 CURRENT RATING: 500mA
 OPERATING TEMPERATURE: -30 °C ~ +85 °C

Ordering Information

L600XX - X X XX X

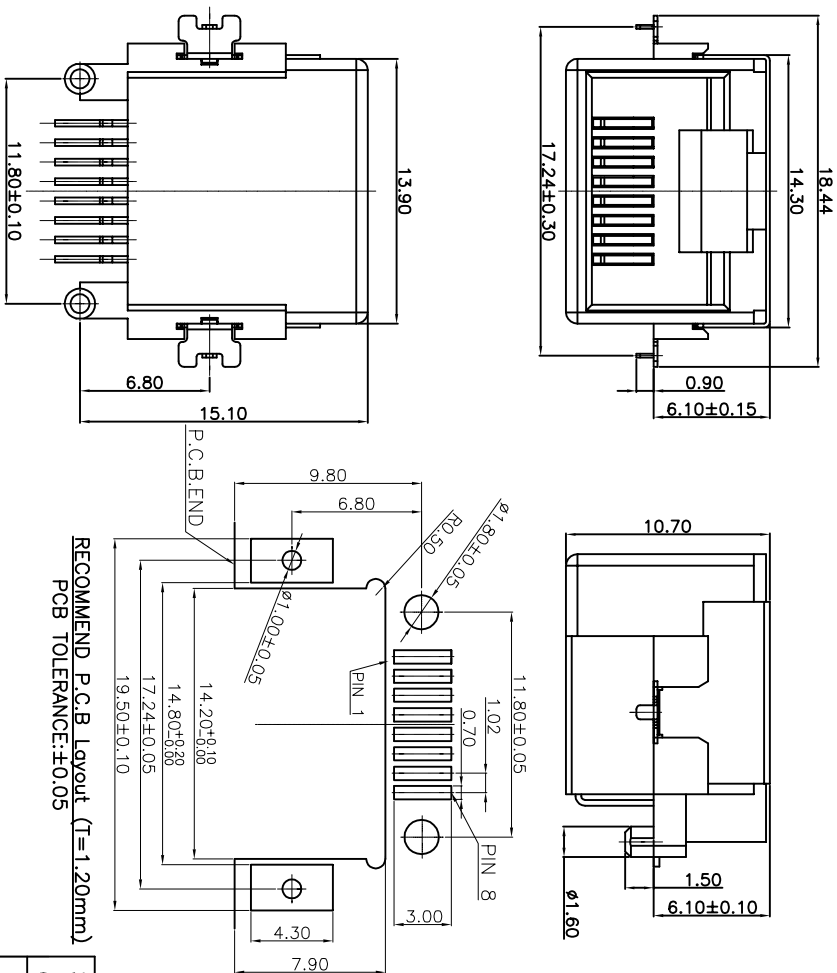
insulation height 61=6.1
 1=Forward 2=Reverse
 Packing height Serial No. 01-99 C=Tray D=Reel
 Material Option 3=NYGT 4=LCP

3	CONTACT	8	Brass	Au-Plating
2	SHELL	1	Copper alloy	Ni-Plating
1	HOUSING	1	LCP	BLACK
NO.	NAME	QTY	MATERIAL	NOTE

LDCONN 东莞连大精密制品有限公司
 Dongguan LianDa Precision Products Co., LTD

R745 8P8C Sinking board type H6.1 SWF Reverse

TITLE	DRAWN BY	LuJunhui	18.04.17
PART NO	L60061-2401C	CHECKED BY	
DRAWING NO		APPROVED BY	
SCALE	1:1	UNIT	mm
		PAGE	1/1
		SIZE	A4



RECOMMEND P.C.B. Layout (T=1.20mm)
 PCB TOLERANCE: ±0.05

STANDARD TOLERANCE (EXCEPT SPECIFIED)	ANGLES
LINER	0.° ±3°
	.00 ±0.25 .0° ±2°
	.000 ±0.15 .00° ±1°