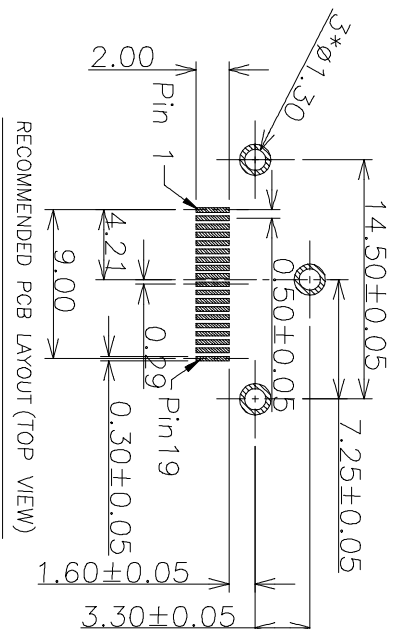
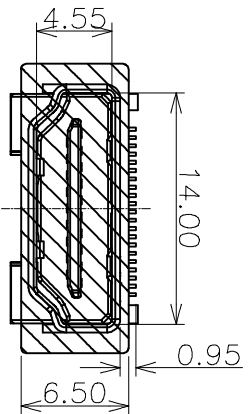
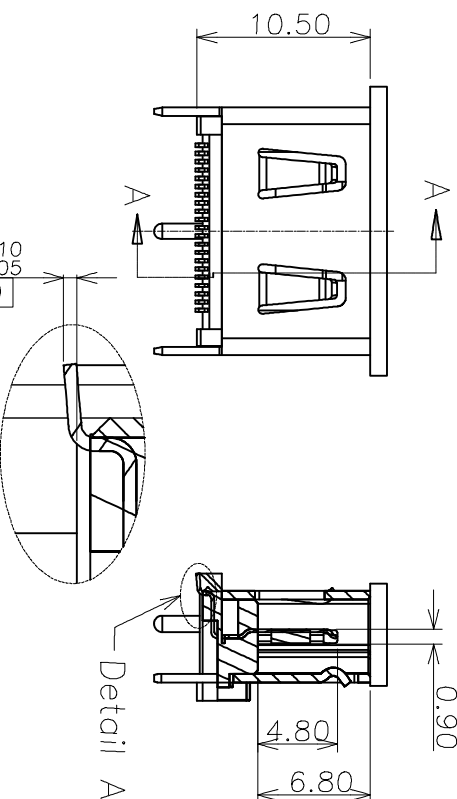
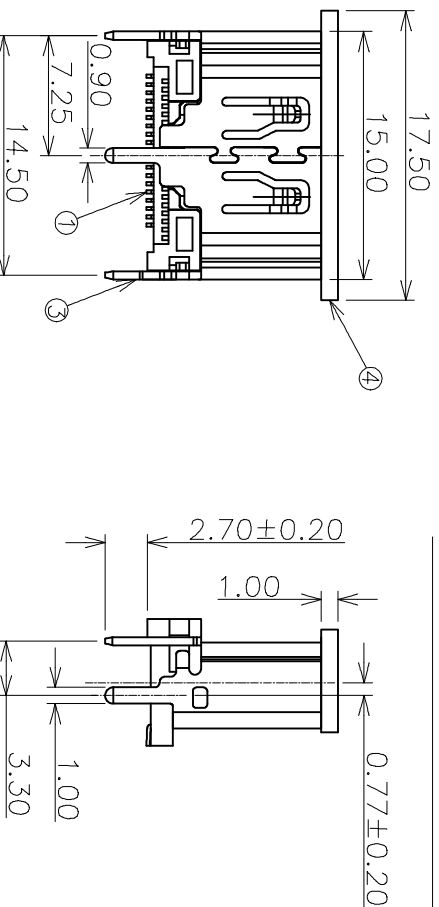


HSE ROHS

REV	ECN NO	DESCRIPTION	DATE	NAME
A		NEW		



- NOTE:
- Material: Housing: Thermoplastics, UL94V-0; COLOR: BLACK
Contact: Copper Alloy
Shell: Copper Alloy
 - FINISH: Contact: Au Plated on Contact Area, Matte Tin Plated on Solder Tails, Nickel Underplating Over All.
Shell: Nickel Underplating Over All.
 - Specification: 3.1: Electrical: Insulation Resistance(EIA-364-21): 100MΩ Min. at 500V/DC for 1Minute.
Contact Resistance(EIA-364-06): 30 mΩ Max.
Dielectric Withstanding Voltage(EIA-364-20): No discharge, flashover or breakdown at 500V/AC 1Minute



Ordering Information

L904X X-X X XX X

1. Shell size & Housing
2. Shell size & Housing
3. Shell size & Housing
4. Shell size & Housing
5. Shell size & Housing
6. Shell size & Housing
7. Shell size & Housing

1. No. over
2. No. over
3. No. over

1. 11"
2. 11"
3. 11"
4. 11"
5. 11"
6. 11"
7. Av/7h

Insulating
Special No. Av/7h
Pin-Body
C-Body
D-Shell

NO	ITEM	QTY	DESCRIPTION	FINISH
4	STOPPLE	1	LCP	UL94V-0, BLACK
3	SHELL	1	C2680R-H	PLATED AU
2	HOUSING	1	C2680R-H	UL94V-0, BLACK
1	CONTACT	21	C2680R-H	PLATED AU

STANDARD TOLERANCE (EXCEPT SPECIFIED)	LINER	ANGLES
.0	±0.30	0.°
.00	±0.25	.0°
.000 ±0.15	.00°	±1°

LDCONN 东莞连大精密制品有限公司		Dongguan LianDa Precision Products Co., LTD	
HMI/A/P-X 180° SMF COVER		DRAWN BY Lu Junhui	
H10.5 Vtch dust		CHECKED BY	
PART NO L90421-10XXXD		APPROVED BY	
TITLE		DATE 18.11.07	
DRAWING NO		SIZE A4	
SCALE 1:1		PAGE 1/1	
UNIT mm		PAGE	