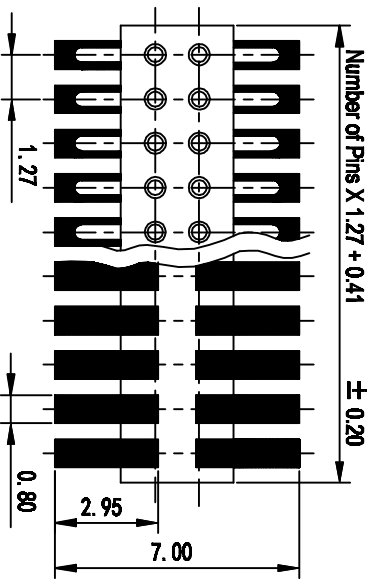
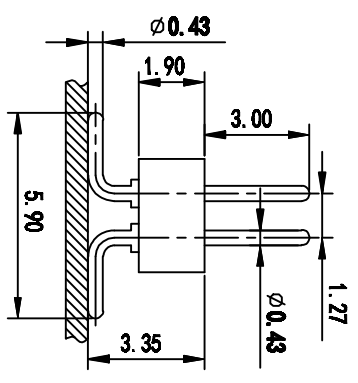
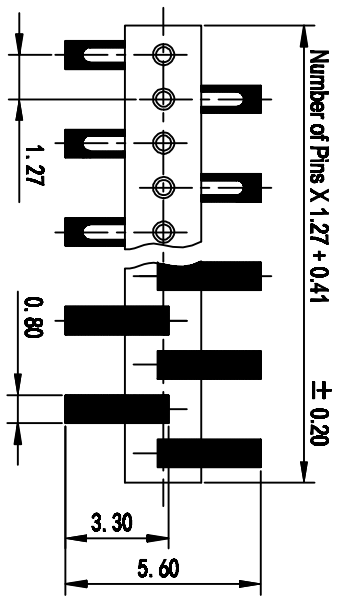
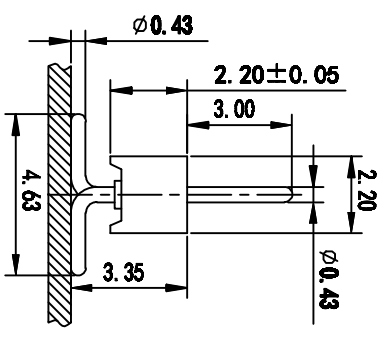


HSE ROHS

REV	ECN NO	DESCRIPTION	DATE	NAME
A		NEW		

Technical Specs:
 Insulator: Black glass filled polyester PPS-GF30-FR
 Flammability: UL 94V-0
 Sleeve: Brass CuZn36Pb3(C36000)
 Accepted pin: $\varnothing 0.41$ mm
 Mechanical life: min 500 cycles
 Rated current: 1A
 Dielectric resistance: Min 1000V RMS
 Coplanarity SMD
 terminations: max 0.1 mm(measured on 25 mm long connectors)



Ordering Information

L489XX - X X XX X

NO. of Pins Per Row: 01-40P

The connection method:
 0=180°
 1=90°
 2=SMT

Contact Plating:
 1=Gold Flash
 2=Au/Tin

Serial NO. 01-99

Packing:
 A=PE Bag
 B=Tube
 C=Tray
 D=Reel

STANDARD TOLERANCE (EXCEPT SPECIFIED)	LINER	ANGLES
.0 ±0.30	0.°	±3°
.00 ±0.20	.0°	±2°
.000 ±0.10	.00°	±1°

LDCONN 东莞连大精密制品有限公司 Dongguan Lianda Precision Products Co., LTD		Bill of Materials Header: Pin 1, 9 Single row/Double row SMT Type	
TITLE	DRAWN BY	Lu Junhui	18.11.12
PART NO	CHECKED BY		
L489X-2XXXX	APPROVED BY		
DRAWING NO			
SCALE	1:1	UNIT	mm
		PAGE	1/1
		SIZE	A4