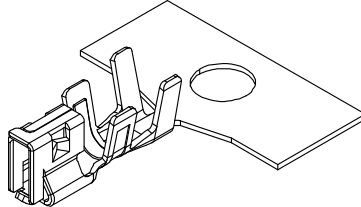
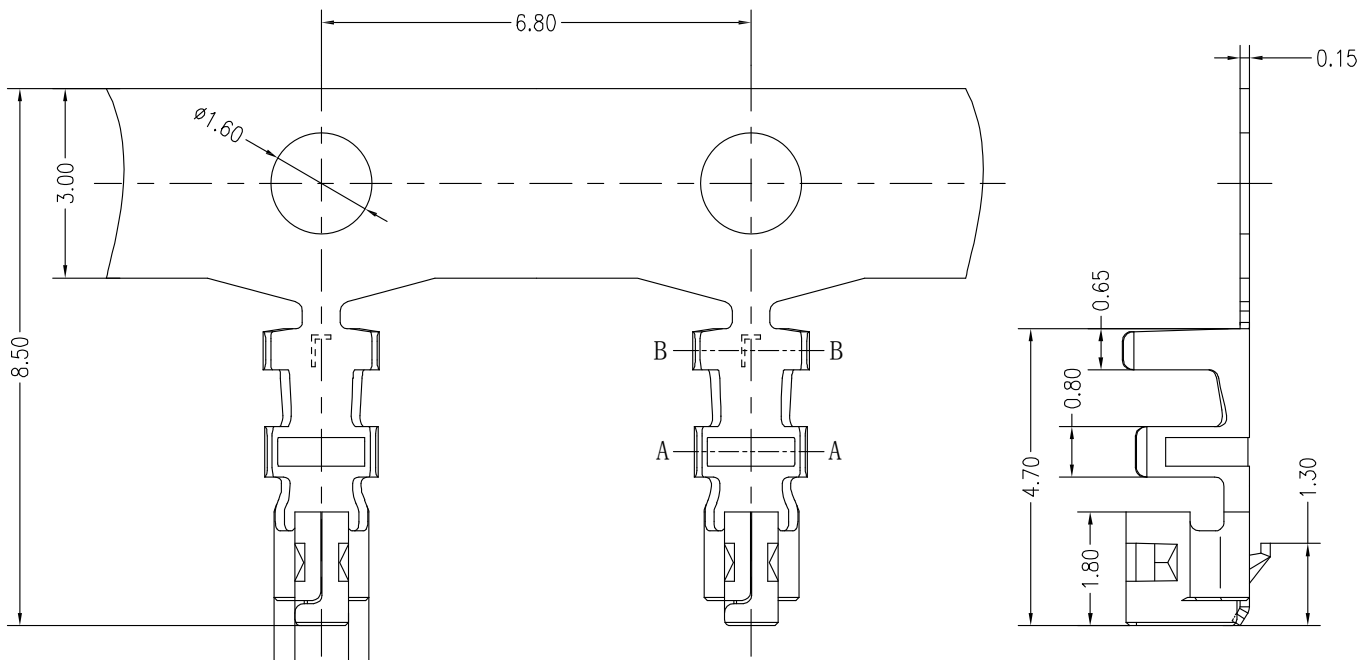


HSF RoHS

REV	ECN NO	DESCRIPTION	DATE	NAME
A	—	NEW	11/23-'19	HYJ



- NOTES:**
1. Material: Phosphor bronze C5191R-H, T=0.15mm
 2. Plating: Sn 100-200u"
 3. The surface of terminal should be smooth and smooth without burr and crack
 - 4 Wire Range :AWG #22-#26
 - 5 Insulation Range: $\phi 1.4$ Max

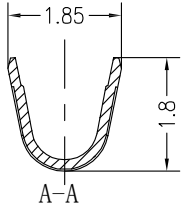
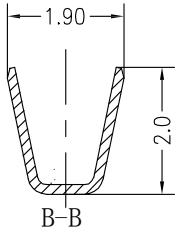
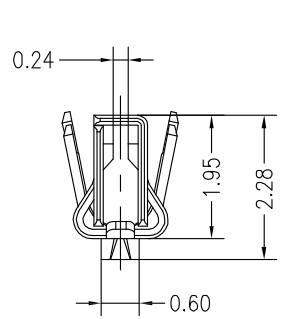
ORDER INFORMATION:

L2009T-PA

PART No. _____ Plating: A=Sn

MATERIAL: _____

P=Phosphor bronze



STANDARD TOLERANCE (EXCEPT SPECIFIED)	
LINER	ANGLES
.0 ±0.30	0.° ±3°
.00 ±0.25	.0° ±2°
.000 ±0.10	.00° ±1°

LDCONN 东莞连大精密制品有限公司 连大 DongGuan LianDa Precision Products Co., LTD									
TITLE		L2009T 2.0MM PITCH Terminal		DRAWN BY		HYJ		11/23-'19	
PART NO		L2009T-PA		CHECKED BY					
DRAWING NO		—		APPROVED BY					
SCALE	1:1	UNIT	mm	⊙	PAGE	1/1	SIZE	A4	