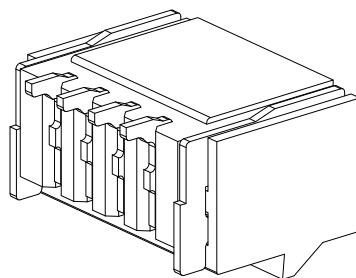
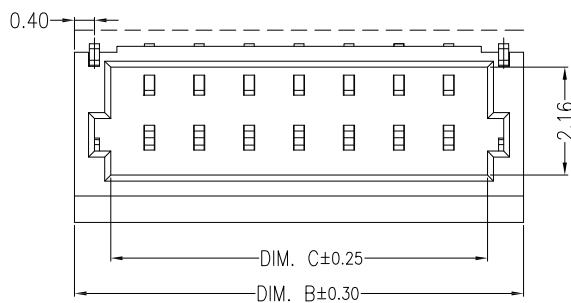
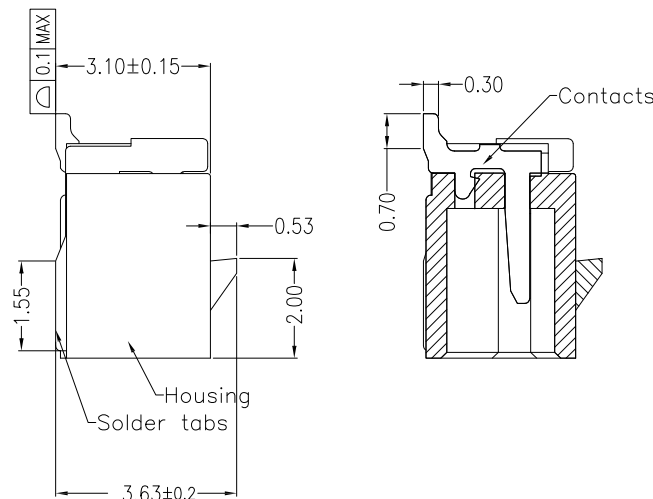
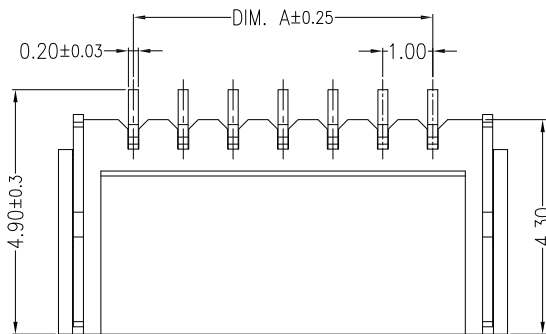


REV	ECN NO	DESCRIPTION	DATE	NAME
A	—	NEW	S X S	9/03-20



Specifications

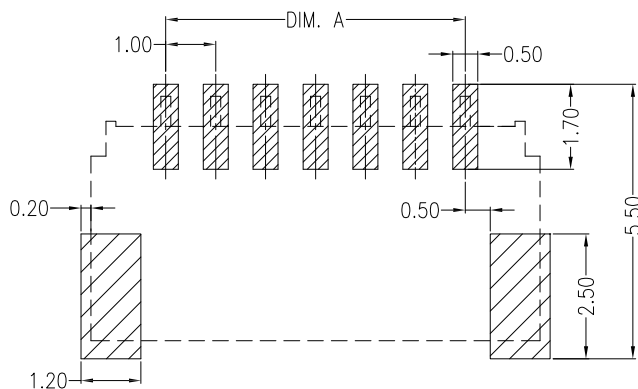
1. Current Rating: 1.0Amps
2. Insulation Resistance: 100 MΩ Min.
3. Dielectric withstanding Voltage: 500V AC
4. Contact Resistance: 20 mΩ Max.
5. Operating Temperature: -25°C to+105°C
6. Contact Material: Phosphor Brass
7. Insulation Material: LCP,UL94V-0,Natural
8. Plated: Plating Sn
9. Marked "*" symbol are major dimensions.

Ordering Information

LA1002 - XX XX L X X XX X

NO.of Pins Per Row: 1-40P	Insulation Height Option: 10=1.0 12=1.27 15=1.5 17=1.7 20=2.0 25=2.54	Insulation Material Option: 1:PBT 2:LCP 3:NY46 4:NY66 5:NY6T 6:NY9T	Contact Plating Option: G:Gold Flash 1: Au1u" 2: Au3u" 3: Au5u" 4: Au10u" 5: Au15u" 6: Au30u" 7:Gold/Tin 8: Tin 9: Customized	Serial NO. 01-69(No pillars) 70-99(pillars)	Packing A=PE Bag B=Tube C=Tray D=Reel
------------------------------	--------------------------------------------------------------------------------------------	------------------------------------------------------------------------------------------	----------------------------------------------------------------------------------------------------------------------------------------------------------------	---------------------------------------------------	---------------------------------------------------

Circuit	Dimensions (mm)		
	DIM. A	DIM. B	DIM. C
02	1.00	4.00	2.45
03	2.00	5.00	3.45
04	3.00	6.00	4.45
05	4.00	7.00	5.45
06	5.00	8.00	6.45
07	6.00	9.00	7.45
08	7.00	10.00	8.45
09	8.00	11.00	9.45
10	9.00	12.00	10.45
11	10.00	13.00	11.45
12	11.00	14.00	12.45
13	12.00	15.00	13.45
14	13.00	16.00	14.45
15	14.00	17.00	15.45
16	15.00	18.00	16.45
20	19.00	22.00	20.45



Recommend PCB Layout

STANDARD TOLERANCE (EXCEPT SPECIFIED)	
LINER	ANGLES
.0 ±0.30	0° ±3°
.00 ±0.20	.0° ±2°
.000 ±0.10	.00° ±1°

LDCONN 东莞连大精密制品有限公司
DongGuan LianDa Precision Products Co., LTD

TITLE	WAFER -J PH1.0 1XNP 90° SMT TYPE	DRAWN BY	S X S	9/03-20
PART NO.	LA1002-XX43L2X01D	CHECKED BY		
DRAWING NO.	—	APPROVED BY		
SCALE	1:1	UNIT	mm	PAGE 1/1
				SIZE A4