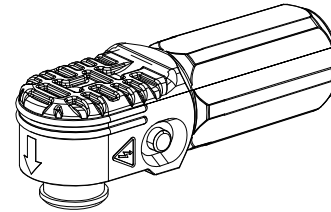
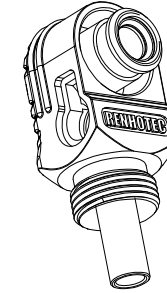
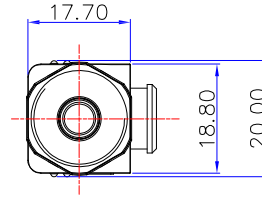
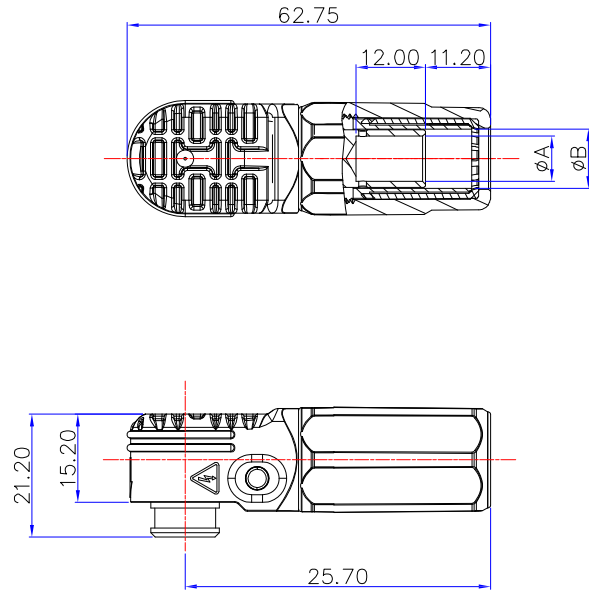


REV	ECN NO	DESCRIPTION	DATE	NAME
A	—	NEW		



Electrical performance:  
 Rated current: 120A  
 Rated voltage: 1000V ac  
 Insulation voltage: 3000VDC(1Min)  
 Temperature Rise: 4hrs < 20°C

Mechanical behavior:  
 Duribility: >2000 Cycles  
 M&F Holding F: >200N  
 Flame Retardant Grade: UL94-V0  
 Operating temperature: -40°C ~ 125°C

A	B	Cable mm <sup>2</sup>	Rated Current
7.80	10.60	25	120
6.20	8.40	16	100
5.00	7.00	10	60

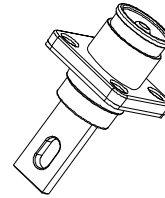
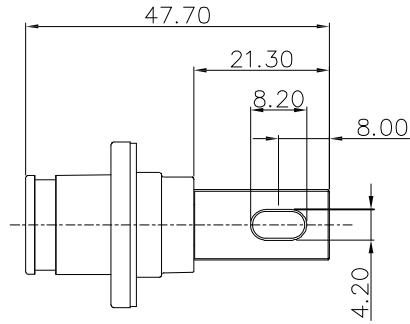
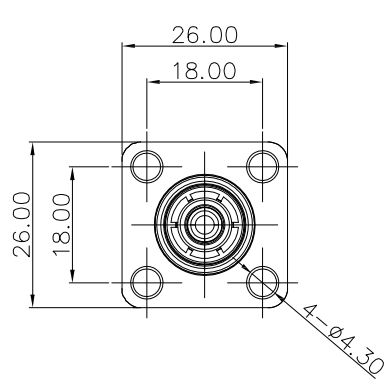
NO	Description	Material	Finish	Qty
11	Insetion Sealing	Silicone		1
10	Flexcoils	C17200	Gold	3
9	Button Name	PA		1
8	Speing	Stainless Steel		1
7	Plastic Nut	PA		1
6	Plastic Button	PA		1
5	Cable Clamp	PA		1
4	Rubber Sesling	Silicone		1
3	O-Ring	Silicone		1
2	Socket	T2	Gold	1
1	Receptacle Shell	PA		1

STANDARD TOLERANCE (EXCEPT SPECIFIED)	
LINER	ANGLES
.0 ±0.10	0.° ±3°
.00 ±0.05	.0° ±2°
.000 ±0.03	.00° ±1°

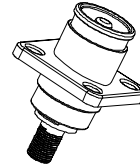
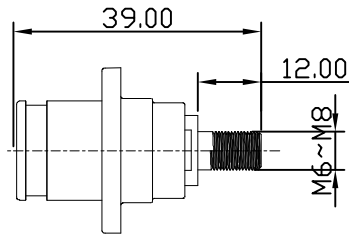
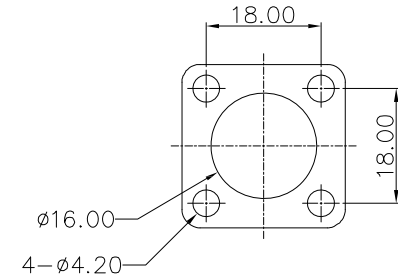
**LD CONN** 东莞连大精密制品有限公司  
 連大 DongGuan LianDa Precision Products Co., LTD

TITLE	∅6.0mm 电缆10/16/25mm 单芯插头	DRAWN BY	KJL	2021-09-28
PART NO.	LPVF01A0003	CHECKED BY		
DRAWING NO.		APPROVED BY		
SCALE	1:1	UNIT	mm	PAGE 1/1
				SIZE A4

REV	ECN NO	DESCRIPTION	DATE	NAME
A	—	NEW		



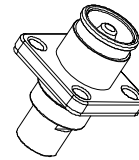
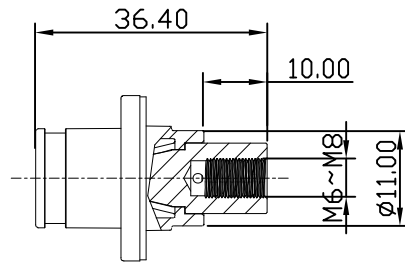
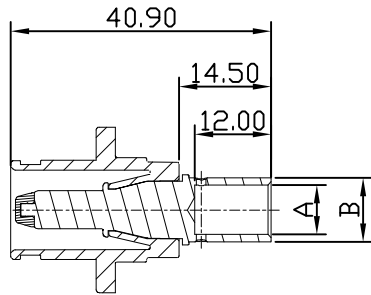
LPVM01A0003



LPVM01A0004

Electrical performance:  
 Rated current:120A  
 Rated voltage:1000V ac  
 Insulation voltage:3000VDC(1Min)  
 Temperature Rise:4hes<20°C

Mechanical behavior:  
 Duribility:>2000 Cycles  
 M&F Hiding F:>200N  
 Flame Retardant Grade:UL94V-0  
 Operating temperature:-40°C ~125°C



LPVM01A0005

A	B	Cable mm <sup>2</sup>
7.80	10.60	25
6.20	8.40	16
5.00	7.00	10

NO	Description	Material	Finish	Qty
4	Square Gasket	CR		1
3	Pin	T2		1
2	Finger Protection	PA	Gold	1
1	Plug Shell	PA		1

STANDARD TOLERANCE (EXCEPT SPECIFIED)	
LINER	ANGLES
.0 ±0.10	0.° ±3°
.00 ±0.05	.0° ±2°
.000 ±0.03	.00° ±1°

**LD CONN** 东莞连大精密制品有限公司  
 連大 DongGuan LianDa Precision Products Co., LTD

TITLE	Ø6.0mm插座	DRAWN BY	KJL	2021-09-28
PART NO.	LPVM01AXXXX	CHECKED BY		
DRAWING NO.		APPROVED BY		
SCALE	1:1	UNIT	mm	PAGE 1/1
				SIZE A4