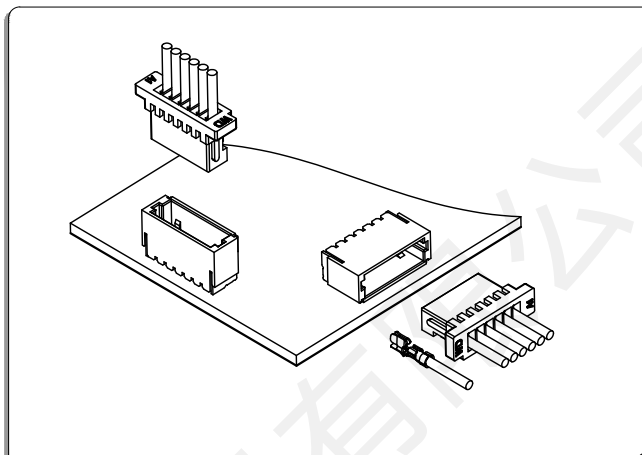


WT100E (SH) Connector 1.0mm Pitch

WTB
1.0

WT100E (SH) Connector 1.0mm Pitch

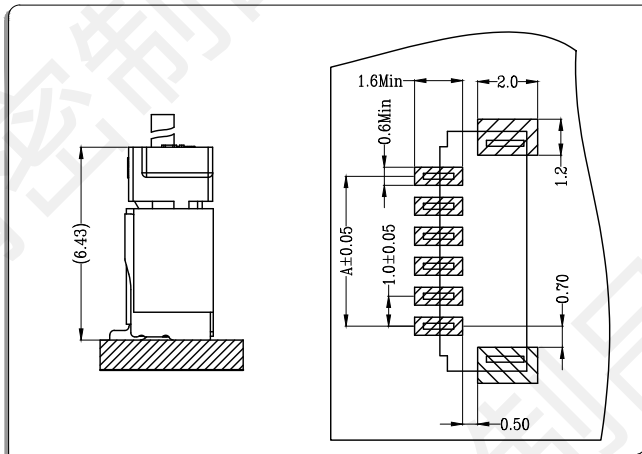


● 技术参数 SPECIFICATIONS

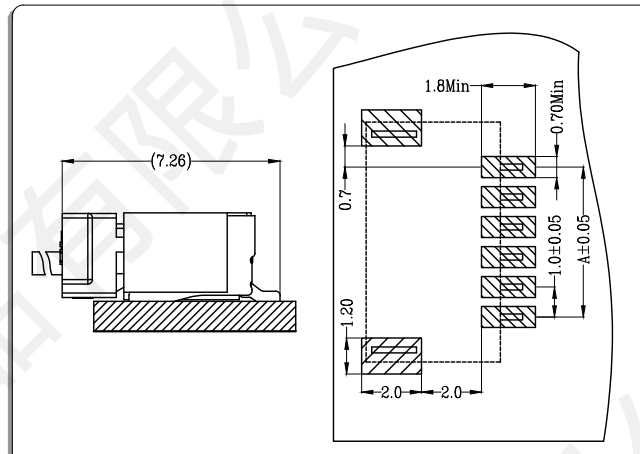
- 1、极数CKT: 2Pin to 26Pin
- 2、额定电流Current rating: 1A AC/DC
- 3、额定电压Voltage rating(max): 50V, AC/DC
- 4、工作温度Working Temperature: -25°C~+85°C, (含通电温度上升值)
(Including temperature rise in applying electrical current)
- 5、接触电阻Contact resistance: 初始Initial value $\leq 20\text{m}\Omega$
环境测试后After environmental testing $\leq 30\text{m}\Omega$
- 6、绝缘电阻Insulation resistance: $\geq 100\text{M}\Omega$
- 7、耐电压Withstand voltage: 500VAC(rms)
- 8、适用线规 Applicable wire: AWG #32 to #28
- 9、适用基板厚度Applicable PC board thickness: 1.6mm to 2.0mm

● 安装尺寸 Mounting Measurement

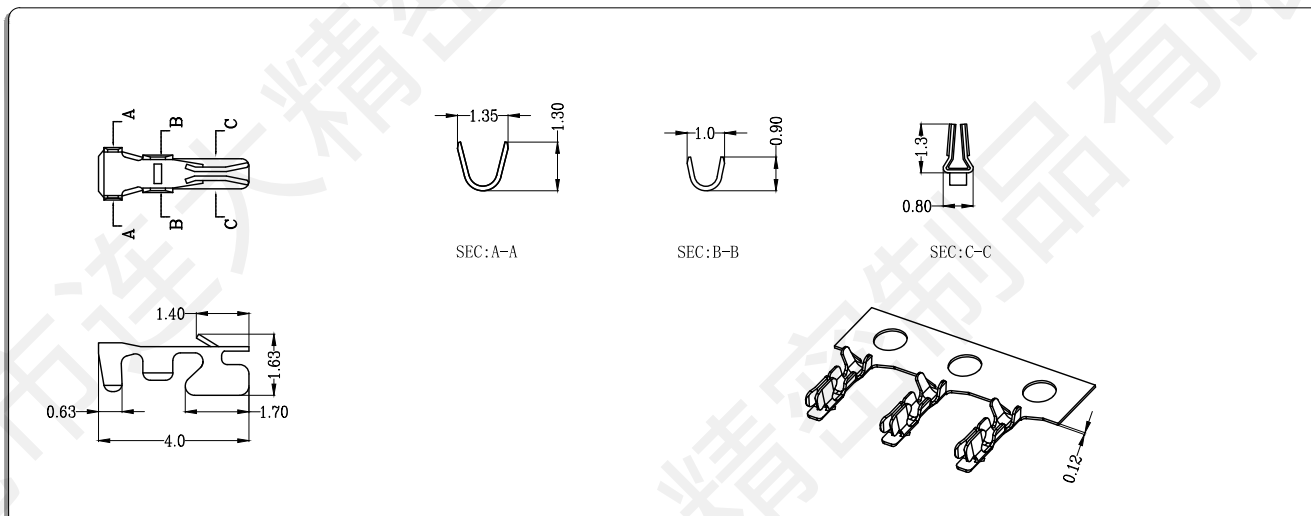
● 立式 Straight Angle



● 卧式 Right Angle



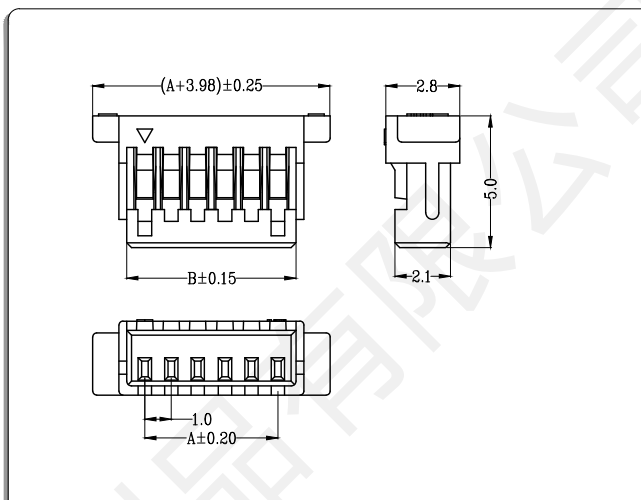
● 端子Terminal: T=0.12mm



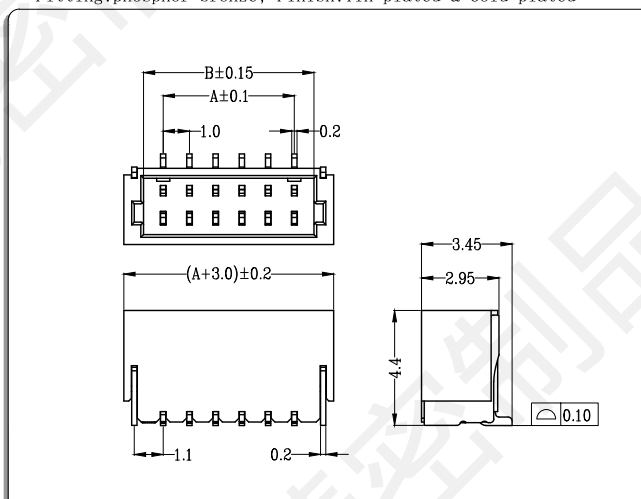
Part No.	Wire Range	Insulation O.D	Material	Finish
WT100E0-T0	AWG#32~#28	0.8mm MAX	phosphor bronze	Tin & Gold-plated

WT100E(SH) Connector 1.0mm Pitch

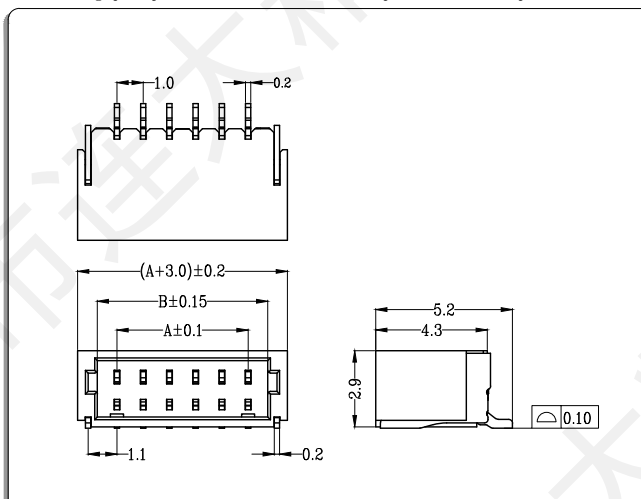
- 公头胶壳 Housing
- 材料Material: Nylon 66 UL94V-0



- 针座 Wafer
- 材料与表面处理 Material and Finish:
Housing:LCP UL94V-0 & Terminal:phosphor bronze & Fitting:phosphor bronze; Finish:Tin-plated & Gold-plated



- 材料与表面处理 Material and Finish:
Housing:LCP UL94V-0 & Terminal:phosphor bronze & Fitting:phosphor bronze; Finish:Tin-plated & Gold-plated



CKT	Part No	DIM A	DIM B
2	WT100E0-02	1.00	2.40
3	WT100E0-03	2.00	3.40
4	WT100E0-04	3.00	4.40
5	WT100E0-05	4.00	5.40
6	WT100E0-06	5.00	6.40
7	WT100E0-07	6.00	7.40
8	WT100E0-08	7.00	8.40
9	WT100E0-09	8.00	9.40
10	WT100E0-10	9.00	10.40
11	WT100E0-11	10.00	11.40
12	WT100E0-12	11.00	12.40
—	— —	—	—
20	WT100E0-20	19.00	20.40

CKT	Part No	DIM A	DIM B
2	WT100EL-02	1.00	2.50
3	WT100EL-03	2.00	3.50
4	WT100EL-04	3.00	4.50
5	WT100EL-05	4.00	5.50
6	WT100EL-06	5.00	6.50
7	WT100EL-07	6.00	7.50
8	WT100EL-08	7.00	8.50
9	WT100EL-09	8.00	9.50
10	WT100EL-10	9.00	10.50
11	WT100EL-11	10.00	11.50
12	WT100EL-12	11.00	12.50
—	— —	—	—
26	WT100EL-26	25.00	26.50

CKT	Part No	DIM A	DIM B
2	WT100EW-02	1.00	2.50
3	WT100EW-03	2.00	3.50
4	WT100EW-04	3.00	4.50
5	WT100EW-05	4.00	5.50
6	WT100EW-06	5.00	6.50
7	WT100EW-07	6.00	7.50
8	WT100EW-08	7.00	8.50
9	WT100EW-09	8.00	9.50
10	WT100EW-10	9.00	10.50
11	WT100EW-11	10.00	11.50
12	WT100EW-12	11.00	12.50
—	— —	—	—
26	WT100EW-26	25.00	26.50

WTB
1.0

WT100E(SH) Connector 1.0mm Pitch