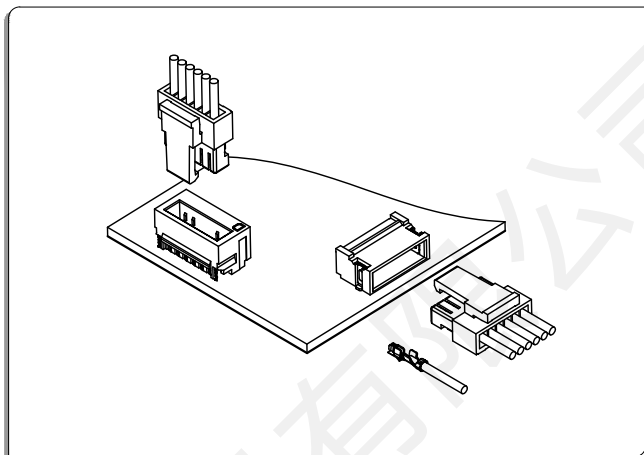


# WT100B(NH) Connector 1.0mm Pitch

WTB  
1.0

WT100B(NH) Connector 1.0mm Pitch

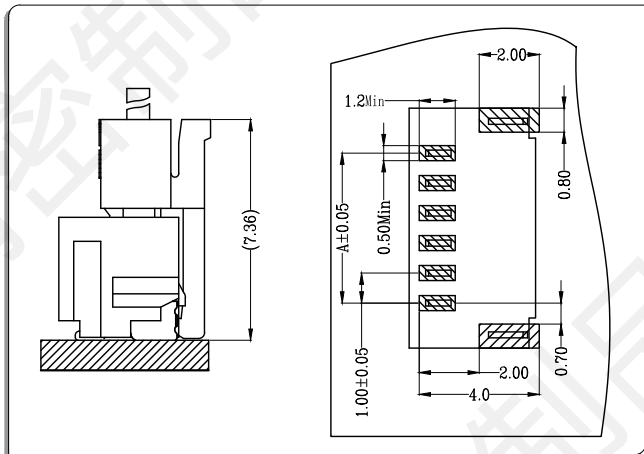


## ● 技术参数 SPECIFICATIONS

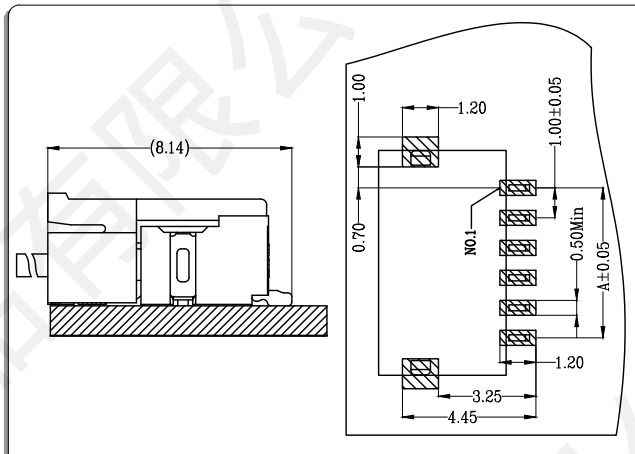
- 1、极数CKT: 2Pin to 20Pin
- 2、额定电流Current rating: 1A AC/DC
- 3、额定电压Voltage rating(max): 50V, AC/DC
- 4、工作温度Working Temperature: -25°C~+85°C, (含通电温度上升值)  
(Including temperature rise in applying electrical current)
- 5、接触电阻Contact resistance: 初始Initial value  $\leq 20m\Omega$   
环境测试后After environmental testing  $\leq 30m\Omega$
- 6、绝缘电阻Insulation resistance:  $\geq 100M\Omega$
- 7、耐电压Withstand voltage: 500VAC(rms)
- 8、适用线规 Applicable wire: AWG #32 to #28
- 9、适用基板厚度Applicable PC board thickness: 1.6mm to 2.0mm

## ● 安装尺寸 Mounting Measurement

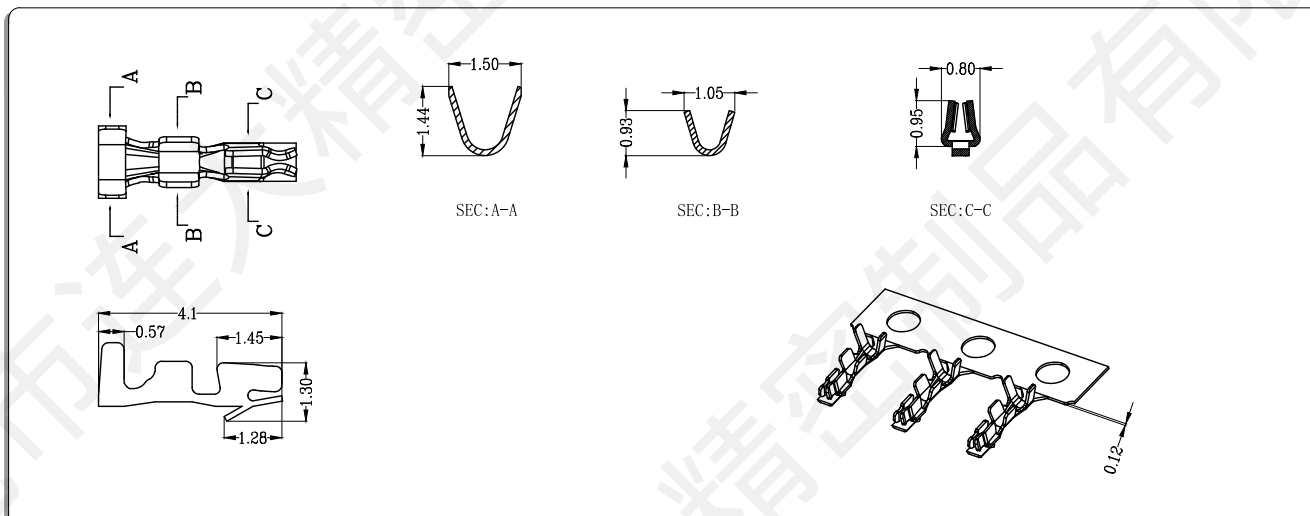
### ● 立式 Straight Angle



### ● 卧式 Right Angle



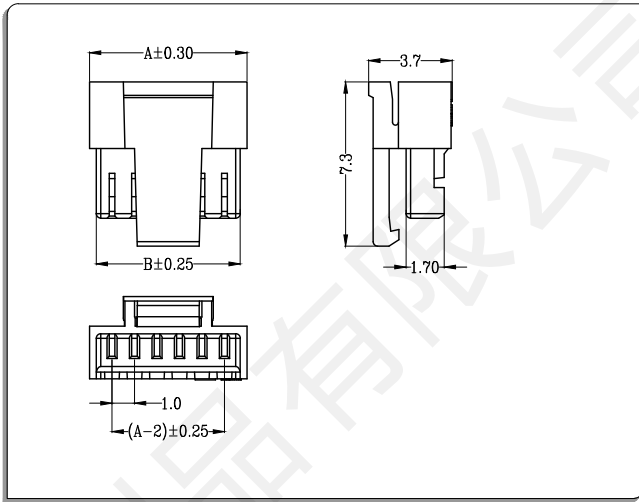
## ● 端子Terminal: T=0.12mm



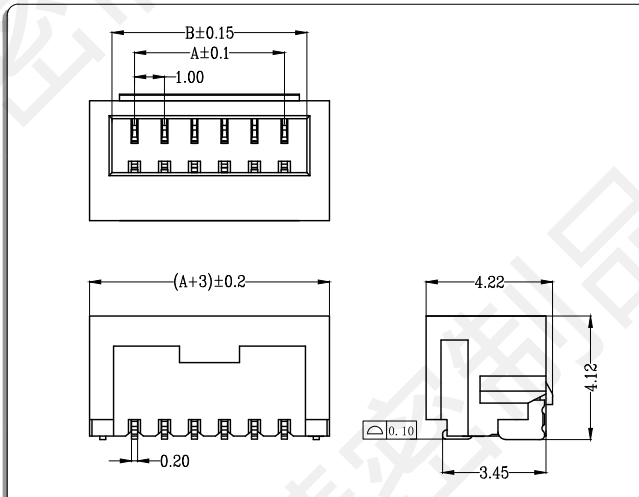
Part No.	Wire Range	Insulation O.D	Material	Finish
WT100B0-T0	AWG#32~#28	0.8mm MAX	phosphor bronze	Tin & Gold-plated

# WT100B(NH) Connector 1.0mm Pitch

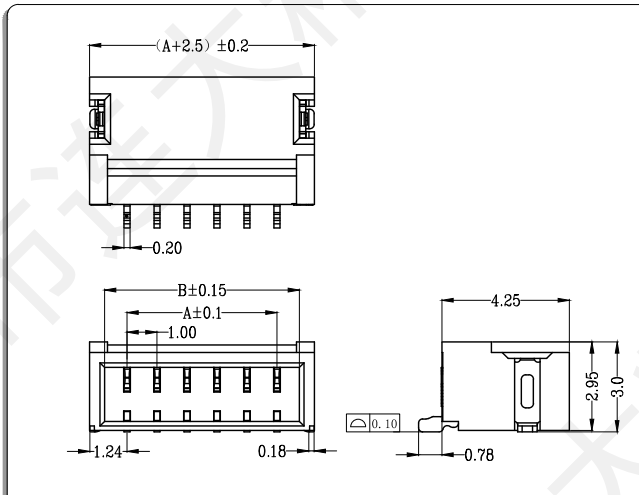
- 公头胶壳 Housing
- 材料Material: Nylon 66 UL94V-0



- 针座 Wafer
- 材料与表面处理 Material and Finish:  
Housing:PA6T UL94V-0 & Terminal:phosphor bronze &  
Fitting:Brass; Finish:Tin-plated & Gold-plated



- 材料与表面处理 Material and Finish:  
Housing:PA6T UL94V-0 & Terminal:phosphor bronze &  
Fitting:Brass; Finish:Tin-plated & Gold-plated



CKT	Part No	DIM A	DIM B
2	WT100B0-02	3.00	2.40
3	WT100B0-03	4.00	3.40
4	WT100B0-04	5.00	4.40
5	WT100B0-05	6.00	5.40
6	WT100B0-06	7.00	6.40
7	WT100B0-07	8.00	7.40
8	WT100B0-08	9.00	8.40
9	WT100B0-09	10.00	9.40
10	WT100B0-10	11.00	10.40
11	WT100B0-11	12.00	11.40
12	WT100B0-12	13.00	12.40
—	— — —	— —	— —
16	WT100B0-16	17.00	16.40

CKT	Part No	DIM A	DIM B
6	WT100BL-06	5.00	6.50

CKT	Part No	DIM A	DIM B
2	WT100BW-02	1.00	2.50
3	WT100BW-03	2.00	3.50
4	WT100BW-04	3.00	4.50
5	WT100BW-05	4.00	5.50
6	WT100BW-06	5.00	6.50
7	WT100BW-07	6.00	7.50
8	WT100BW-08	7.00	8.50
9	WT100BW-09	8.00	9.50
10	WT100BW-10	9.00	10.50
11	WT100BW-11	10.00	11.50
12	WT100BW-12	11.00	12.50
—	— — —	— —	— —
20	WT100BW-20	19.00	20.50

WTB  
1.0

WT100B(NH) Connector 1.0mm Pitch