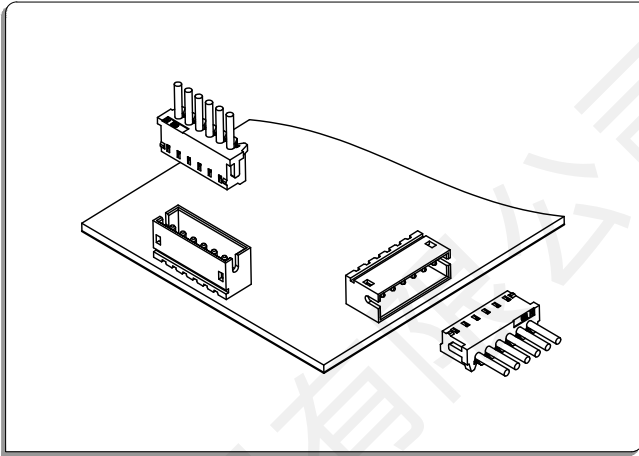


# WT150L刺破型 (ZH) Connector 1.5mm Pitch

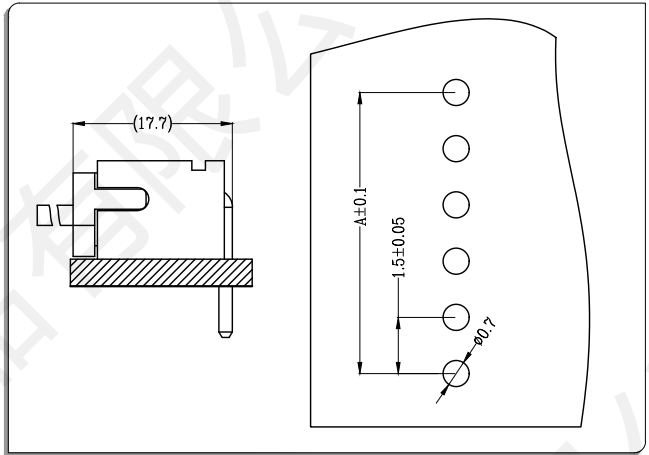
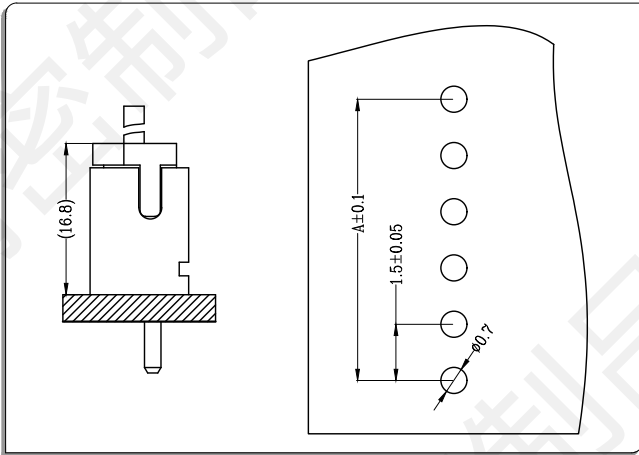
WTB  
1.5

WT150L刺破型 (ZH) Connector 1.5mm Pitch



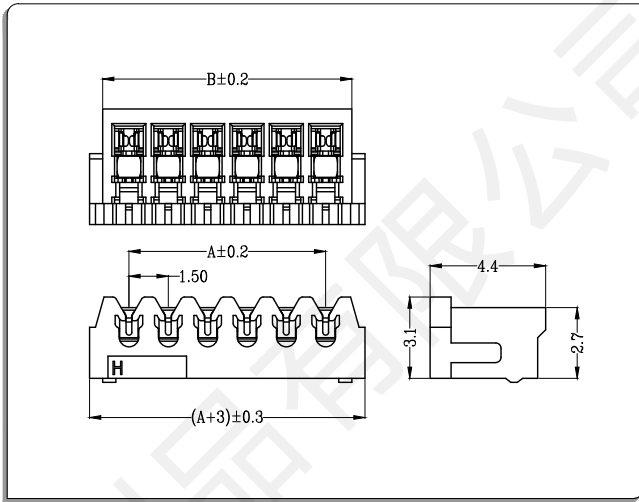
## ● 技术参数 SPECIFICATIONS

- 1、极数CKT: 2Pin to 16Pin
- 2、额定电流Current rating: 1A AC/DC
- 3、额定电压Voltage rating(max): 100V, AC/DC
- 4、工作温度Working Temperature:  $-25^{\circ}\text{C} \sim +85^{\circ}\text{C}$ ,  
(含通电温度上升值)  
(Including temperature rise in applying electrical current)
- 5、接触电阻Contact resistance: 初始Initial value  $\leq 20\text{m}\Omega$   
环境测试后After environmental testing  $\leq 30\text{m}\Omega$
- 6、绝缘电阻Insulation resistance:  $\geq 500\text{M}\Omega$
- 7、耐电压Withstand voltage: 500VAC (rms)
- 8、适用线规 Applicable wire: AWG #30 to #26
- 9、适用基板厚度Applicable PC board thickness: 1.6mm to 2.0mm



# WT150L刺破型 (ZH) Connector 1.5mm Pitch

- 刺破型公头Insulation Displacement
- 材料与表面处理 Material and Finish:  
Housing:Nylon 66 UL94V-0 & Terminal:phosphor bronze  
Finish:Tin-plated & Gold-plated



CKT	Part No	DIM A	DIM B
2	WT150L0-02	1.50	3.50
3	WT150L0-03	3.00	5.00
4	WT150L0-04	4.50	6.50
5	WT150L0-05	6.00	8.00
6	WT150L0-06	7.50	9.50
7	WT150L0-07	9.00	11.00
8	WT150L0-08	10.50	12.50
9	WT150L0-09	12.00	14.00
10	WT150L0-10	13.50	15.50
11	WT150L0-11	15.00	17.00
12	WT150L0-12	16.50	18.50
13	WT150L0-13	18.00	20.00

WTB  
1.5

WT150L刺破型 (ZH) Connector 1.5mm Pitch