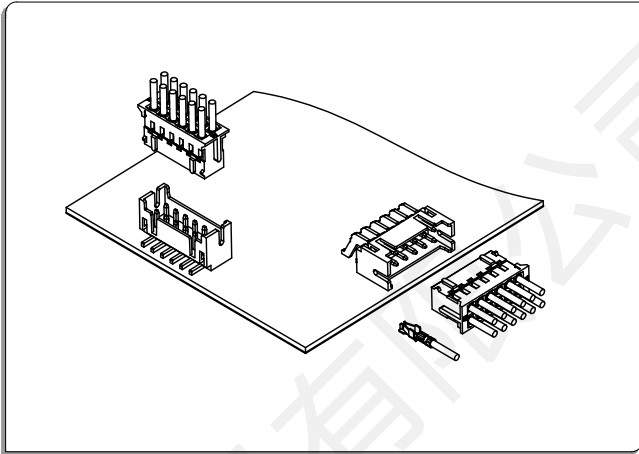


# WB200D (PHD) Connector 2.0mm Pitch

WTB  
2.0

WB200D (PHD) Connector 2.0mm Pitch

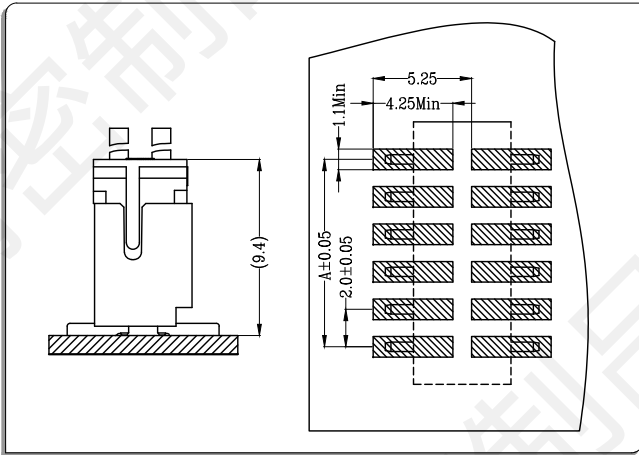


## ● 技术参数 SPECIFICATIONS

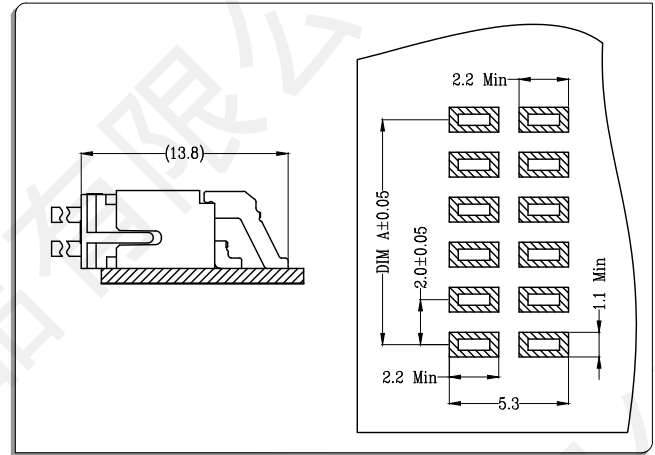
- 1、极数CKT: 2\*2Pin to 2\*20Pin
- 2、额定电流Current rating: 3A AC/DC
- 3、额定电压Voltage rating(max): 250V, AC/DC
- 4、工作温度Working Temperature: -25°C~+85°C, (含通电温度上升值)  
(Including temperature rise in applying electrical current)
- 5、接触电阻Contact resistance: 初始Initial value  $\leq 20m\Omega$   
环境测试后After environmental testing  $\leq 30m\Omega$
- 6、绝缘电阻Insulation resistance:  $\geq 1000M\Omega$
- 7、耐电压Withstand voltage: 800VAC(rms)
- 8、适用线规 Applicable wire: AWG #28 to #22
- 9、适用基板厚度Applicable PC board thickness: 1.6mm to 2.0mm

## ● 安装尺寸 Mounting Measurement

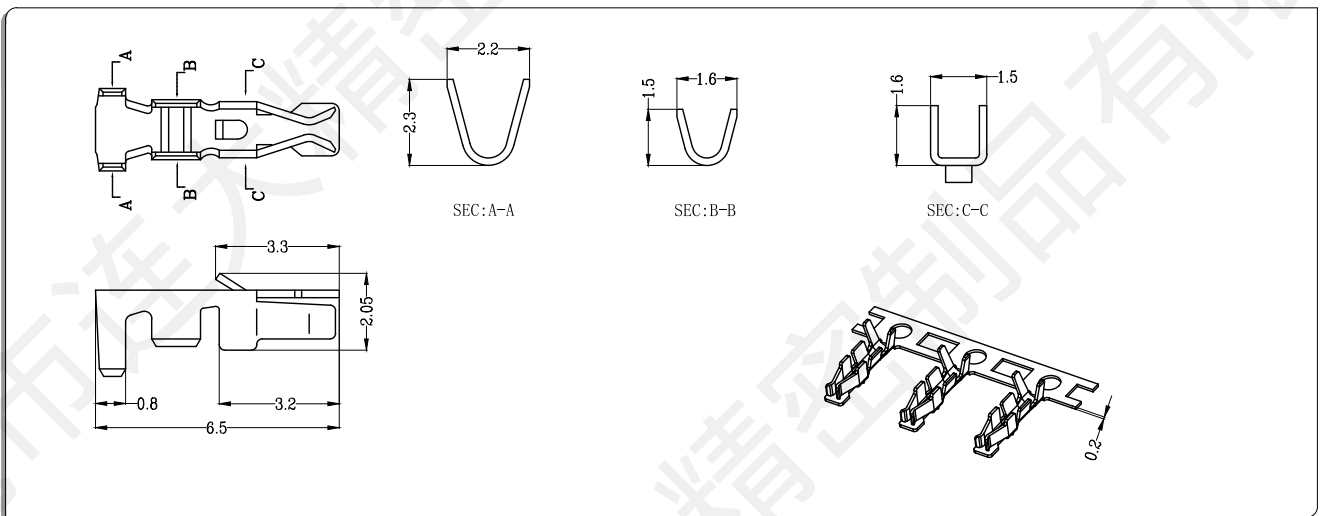
### ● 立式 Straight Angle



### ● 卧式 Right Angle



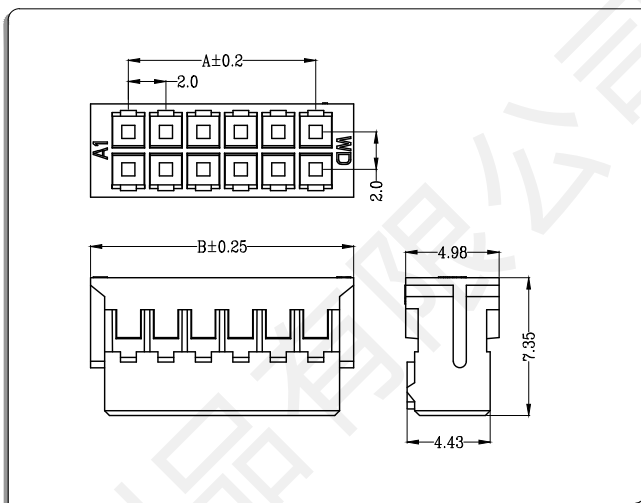
## ● 端子 Terminal: T=0.2mm



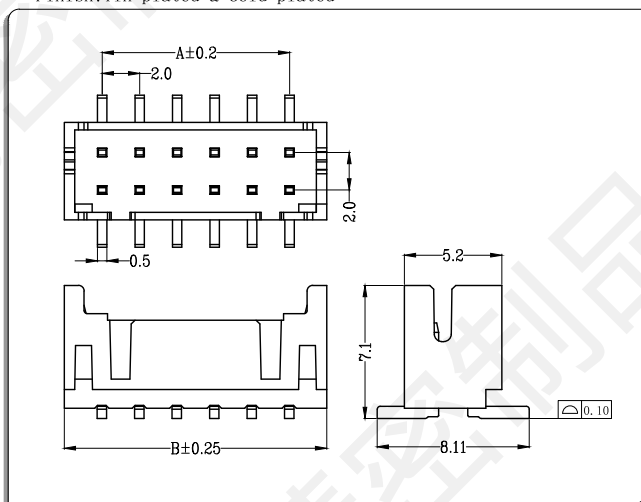
Part No.	Wire Range	Insulation O.D	Material	Finish
WT200R0—T0	AWG#28~#22	1.50mm MAX	phosphor bronze	Tin & Gold-plated

# WB200D (PHD) Connector 2.0mm Pitch

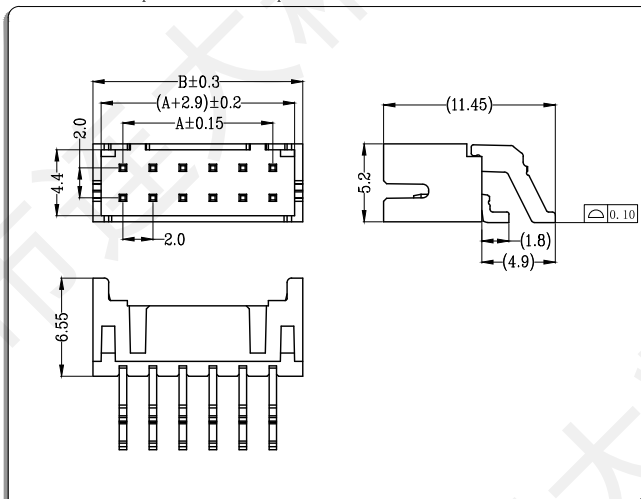
- 公头胶壳 Housing
- 材料Material: Nylon 66 UL94V-0



- 针座 Wafer
- 材料与表面处理 Material and Finish:  
Housing:LCP UL94V-0 & Terminal:Brass  
Finish:Tin-plated & Gold-plated



- 材料与表面处理 Material and Finish:  
Housing:LCP UL94V-0 & Terminal:Brass  
Finish:Tin-plated & Gold-plated



CKT	Part No	DIM A	DIM B
2*2	WB200D0-04	2.00	6.00
2*3	WB200D0-06	4.00	8.00
2*4	WB200D0-08	6.00	10.00
2*5	WB200D0-10	8.00	12.00
2*6	WB200D0-12	10.00	14.00
2*7	WB200D0-14	12.00	16.00
2*8	WB200D0-16	14.00	18.00
2*9	WB200D0-18	16.00	20.00
2*10	WB200D0-20	18.00	22.00
2*11	WB200D0-22	20.00	24.00
2*12	WB200D0-24	22.00	26.00
—	— — —	—	—
2*20	WB200D0-40	38.00	42.00

CKT	Part No	DIM A	DIM B
2*2	WB200DL-04	2.00	6.00
2*3	WB200DL-06	4.00	8.00
2*4	WB200DL-08	6.00	10.00
2*5	WB200DL-10	8.00	12.00
2*6	WB200DL-12	10.00	14.00
2*7	WB200DL-14	12.00	16.00
2*8	WB200DL-16	14.00	18.00
2*9	WB200DL-18	16.00	20.00
2*10	WB200DL-20	18.00	22.00
2*11	WB200DL-22	20.00	24.00
2*12	WB200DL-24	22.00	26.00
—	— — —	—	—
2*20	WB200DL-40	38.00	42.00

CKT	Part No	DIM A	DIM B
2*2	WB200DW-04	2.00	6.00
2*3	WB200DW-06	4.00	8.00
2*4	WB200DW-08	6.00	10.00
2*5	WB200DW-10	8.00	12.00
2*6	WB200DW-12	10.00	14.00
2*7	WB200DW-14	12.00	16.00
2*8	WB200DW-16	14.00	18.00
2*9	WB200DW-18	16.00	20.00
2*10	WB200DW-20	18.00	22.00
2*11	WB200DW-22	20.00	24.00
2*12	WB200DW-24	22.00	26.00
—	— — —	—	—
2*20	WB200DW-40	38.00	42.00

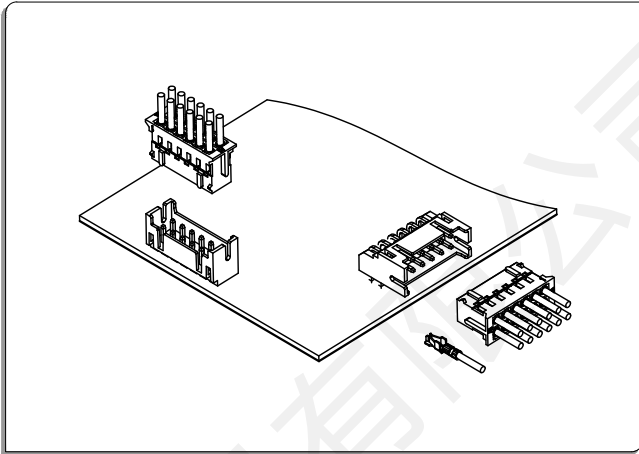
WTB  
2.0

WB200D (PHD) Connector 2.0mm Pitch

# WB200D (PHD) Connector 2.0mm Pitch

WTB  
2.0

WB200D (PHD) Connector 2.0mm Pitch

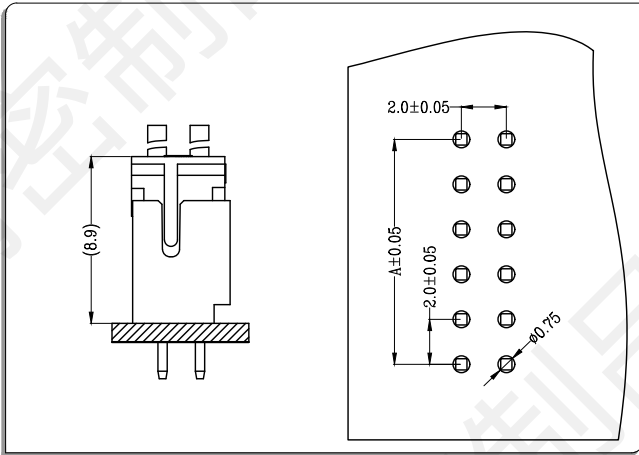


## ● 技术参数 SPECIFICATIONS

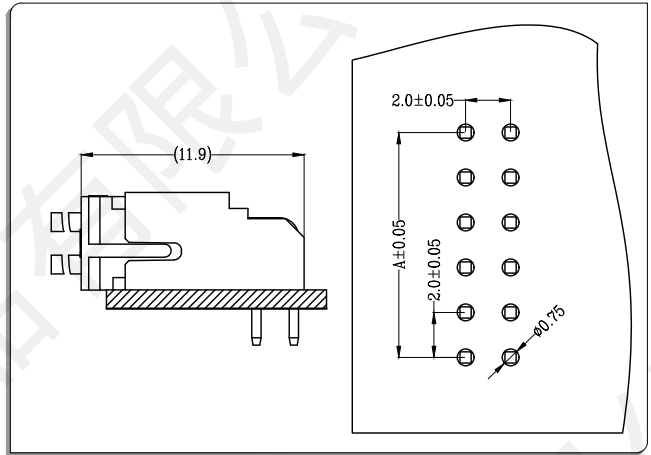
- 1、极数CKT: 2\*2Pin to 2\*20Pin
- 2、额定电流Current rating: 3A AC/DC
- 3、额定电压Voltage rating(max): 250V, AC/DC
- 4、工作温度Working Temperature: -25°C~+85°C, (含通电温度上升值)  
(Including temperature rise in applying electrical current)
- 5、接触电阻Contact resistance: 初始Initial value  $\leq 20\text{m}\Omega$   
环境测试后After environmental testing  $\leq 30\text{m}\Omega$
- 6、绝缘电阻Insulation resistance:  $\geq 1000\text{M}\Omega$
- 7、耐电压Withstand voltage: 800VAC(rms)
- 8、适用线规 Applicable wire: AWG #28 to #22
- 9、适用基板厚度Applicable PC board thickness: 1.6mm to 2.0mm

## ● 安装尺寸 Mounting Measurement

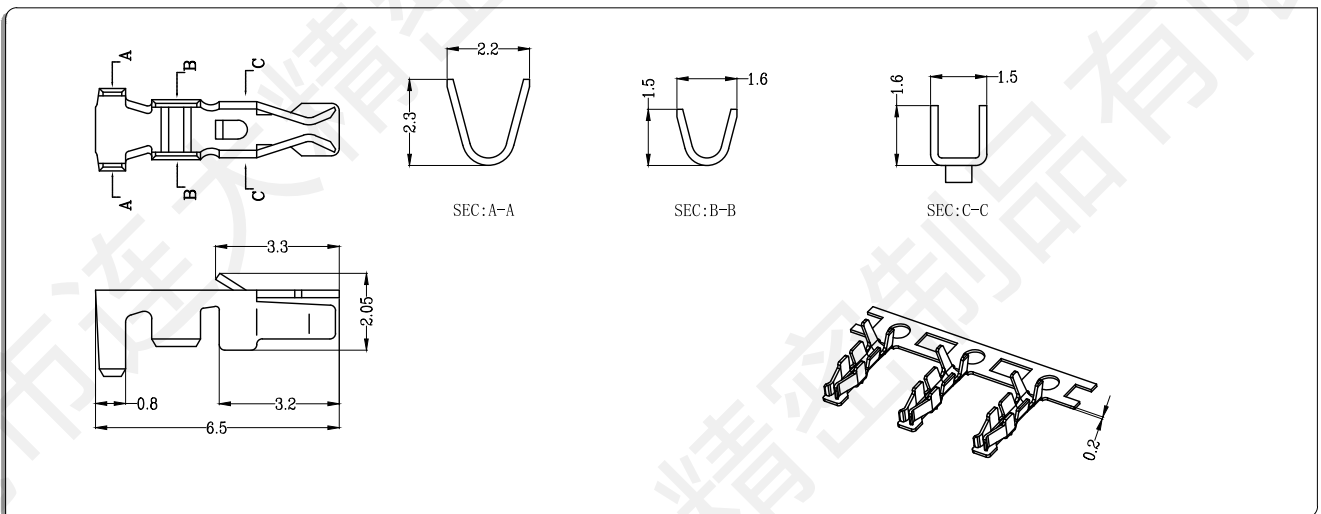
### ● 立式 Straight Angle



### ● 卧式 Right Angle



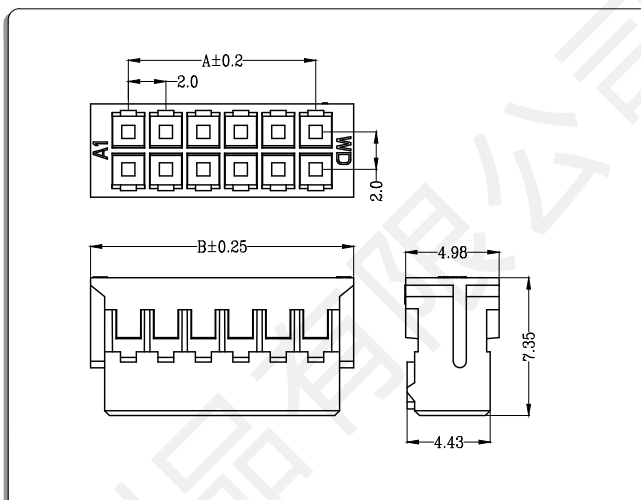
## ● 端子Terminal: T=0.2mm



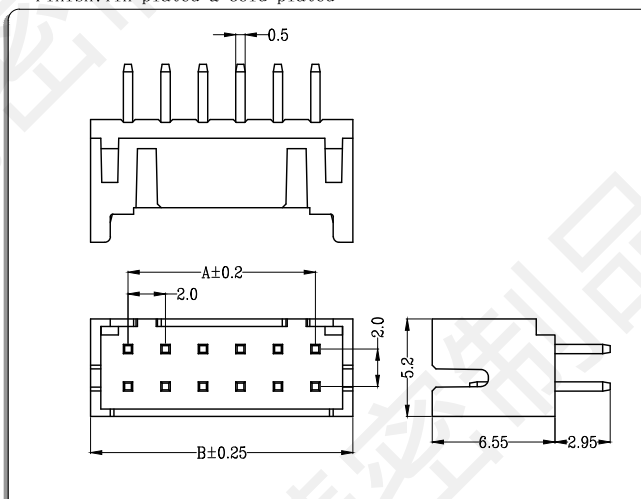
Part No.	Wire Range	Insulation O.D	Material	Finish
WT200R0-T0	AWG#28~#22	1.50mm MAX	phosphor bronze	Tin & Gold-plated

# WB200D (PHD) Connector 2.0mm Pitch

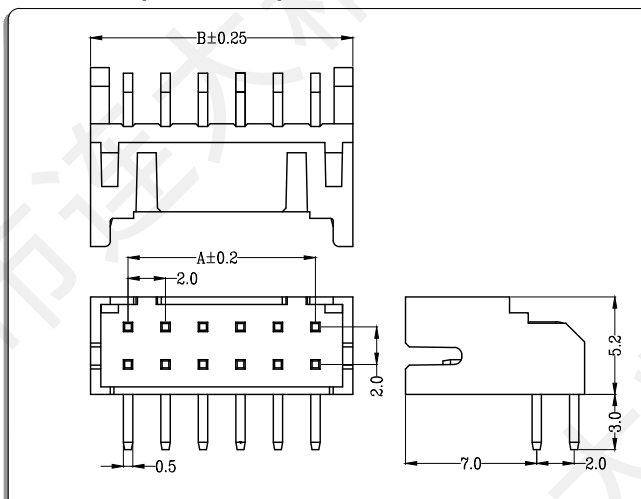
- 公头胶壳 Housing
- 材料Material: Nylon 66 UL94V-0



- 针座 Wafer
- 材料与表面处理 Material and Finish:  
Housing:Nylon 66 UL94V-0 & Terminal:Brass  
Finish:Tin-plated & Gold-plated



- 材料与表面处理 Material and Finish:  
Housing:Nylon 66 UL94V-0 & Terminal:Brass  
Finish:Tin-plated & Gold-plated



CKT	Part No	DIM A	DIM B
2*2	WB200D0-04	2.00	6.00
2*3	WB200D0-06	4.00	8.00
2*4	WB200D0-08	6.00	10.00
2*5	WB200D0-10	8.00	12.00
2*6	WB200D0-12	10.00	14.00
2*7	WB200D0-14	12.00	16.00
2*8	WB200D0-16	14.00	18.00
2*9	WB200D0-18	16.00	20.00
2*10	WB200D0-20	18.00	22.00
2*11	WB200D0-22	20.00	24.00
2*12	WB200D0-24	22.00	26.00
—	— —	—	—
2*20	WB200D0-40	38.00	42.00

CKT	Part No	DIM A	DIM B
2*2	WB200DL-04	2.00	6.00
2*3	WB200DL-06	4.00	8.00
2*4	WB200DL-08	6.00	10.00
2*5	WB200DL-10	8.00	12.00
2*6	WB200DL-12	10.00	14.00
2*7	WB200DL-14	12.00	16.00
2*8	WB200DL-16	14.00	18.00
2*9	WB200DL-18	16.00	20.00
2*10	WB200DL-20	18.00	22.00
2*11	WB200DL-22	20.00	24.00
2*12	WB200DL-24	22.00	26.00
—	— —	—	—
2*20	WB200DL-40	38.00	42.00

CKT	Part No	DIM A	DIM B
2*2	WB200DW-04	2.00	6.00
2*3	WB200DW-06	4.00	8.00
2*4	WB200DW-08	6.00	10.00
2*5	WB200DW-10	8.00	12.00
2*6	WB200DW-12	10.00	14.00
2*7	WB200DW-14	12.00	16.00
2*8	WB200DW-16	14.00	18.00
2*9	WB200DW-18	16.00	20.00
2*10	WB200DW-20	18.00	22.00
2*11	WB200DW-22	20.00	24.00
2*12	WB200DW-24	22.00	26.00
—	— —	—	—
2*20	WB200DW-40	38.00	42.00

WB  
2.0

WB200D (PHD) Connector 2.0mm Pitch