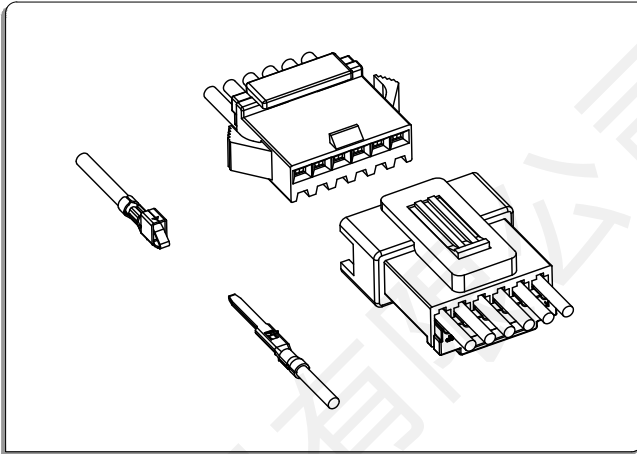


WT2501&WT2502 (SM) Connector 2.5mm Pitch

WTB
2.5

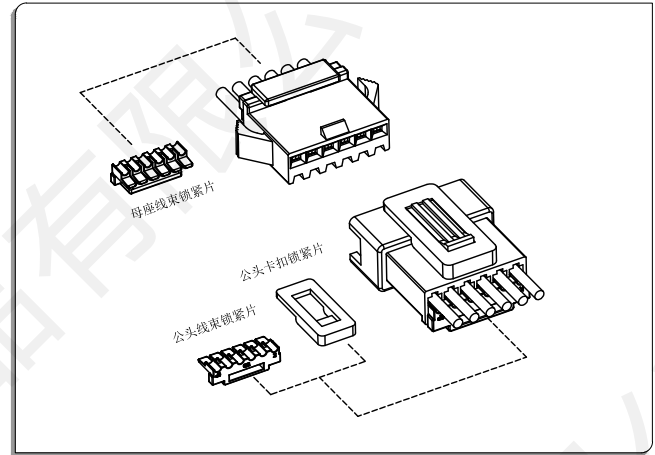
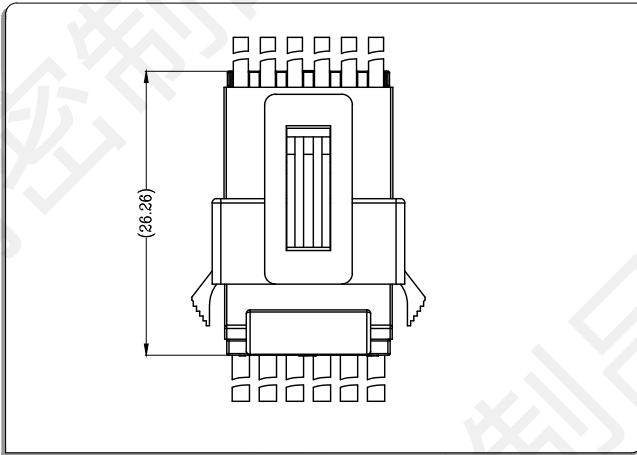
WT2501&WT2502 (SM) Connector 2.5mm Pitch



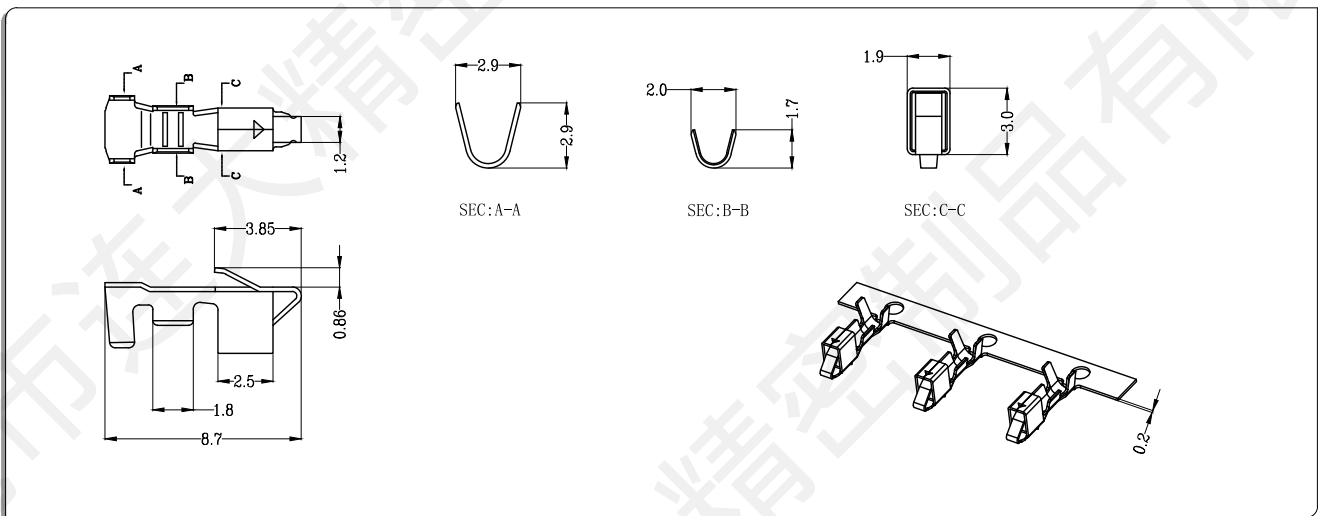
● 技术参数 SPECIFICATIONS

- 1、极数CKT: 2Pin to 16Pin
- 2、额定电流Current rating: 3A AC/DC
- 3、额定电压Voltage rating(max): 250V, AC/DC
- 4、工作温度Working Temperature: -25°C~+85°C, (含通电温度上升值)
(Including temperature rise in applying electrical current)
- 5、接触电阻Contact resistance: 初始Initial value $\leq 10\text{m}\Omega$
环境测试后After environmental testing $\leq 20\text{m}\Omega$
- 6、绝缘电阻Insulation resistance: $\geq 500\text{M}\Omega$
- 7、耐电压Withstand voltage: 1500VAC (rms)
- 8、适用线规 Applicable wire: AWG #28 to #22
- 9、适用基板厚度Applicable PC board thickness: 1.6mm to 2.0mm

● 安装尺寸 Mounting Measurement



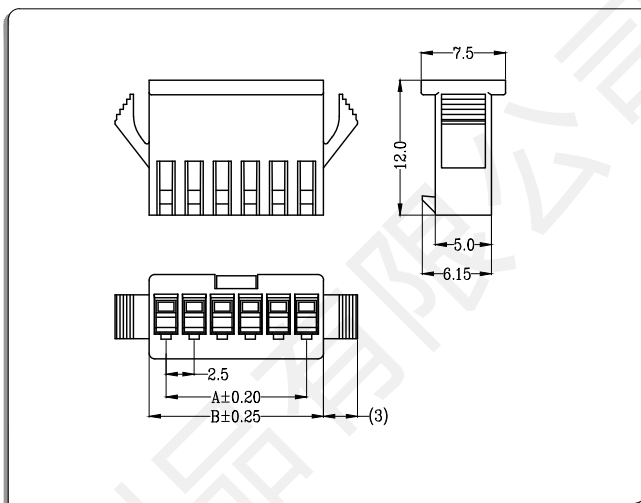
● 端子Terminal: T=0.2mm



Part No.	Wire Range	Insulation O.D	Material	Finish
WT2502F-T0	AWG#28~#22	1.80mm MAX	phosphor bronze	Tin & Gold-plated

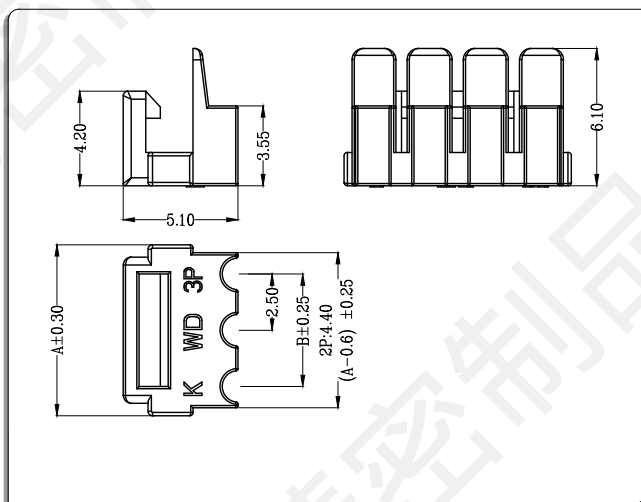
WT2501&WT2502 (SM) Connector 2.5mm Pitch

- 母座胶壳 Housing
- 材料Material: Nylon 66 UL94V-0



CKT	Part No	DIM A	DIM B
2	WT2501M-02	2.50	5.50
3	WT2501M-03	5.00	8.00
4	WT2501M-04	7.50	10.50
5	WT2501M-05	10.00	13.00
6	WT2501M-06	12.50	15.50
7	WT2501M-07	15.00	18.00
8	WT2501M-08	17.50	20.50
9	WT2501M-09	20.00	23.00
10	WT2501M-10	22.50	25.50
11	WT2501M-11	25.00	28.00
—	— —	—	—
16	WT2501M-16	37.50	40.50

- 配件 Fitting(母座线束锁紧片)
- 材料Material: Nylon 66 UL94V-0



CKT	Part No	DIM A	DIM B
2	WT2502F-02	5.00	2.50
3	WT2502F-03	7.50	5.00
4	WT2502F-04	10.00	7.50
5	WT2502F-05	12.50	10.00
6	WT2502F-06	15.00	12.50
7	WT2502F-07	17.50	15.00
8	WT2502F-08	20.00	17.50
9	WT2502F-09	22.50	20.00
10	WT2502F-10	25.00	22.50
11	WT2502F-11	27.50	25.00
—	— —	—	—
16	WT2502F-16	40.00	37.50

WTB
2.5

WT2501&WT2502 (SM) Connector 2.5mm Pitch