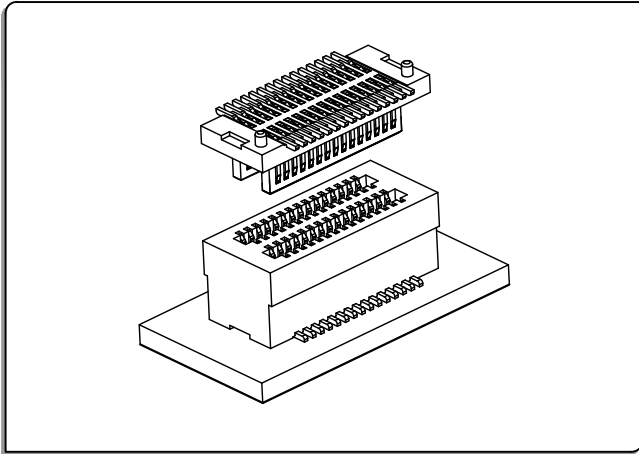


# BTB 0.5双槽立贴 0.5mm Pitch

BTB  
0.5

BTB 0.5双槽立贴 0.5mm Pitch

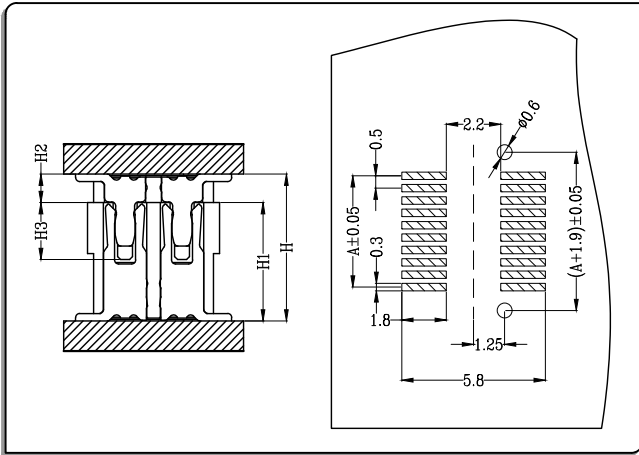


## ● 技术参数 SPECIFICATIONS

- 1、极数CKT: 2\*4Pin to 2\*50Pin
- 2、额定电流Current rating: 0.5A AC/DC
- 3、额定电压Voltage rating(max): 50V, AC/DC
- 4、工作温度Working Temperature: -25°C~+85°C,  
(含通电温度上升值)  
(Including temperature rise in applying electrical current)
- 5、接触电阻Contact resistance: 初始Initial value  $\leq 20\text{m}\Omega$   
环境测试后After environmental testing  $\leq 40\text{m}\Omega$
- 6、绝缘电阻Insulation resistance:  $\geq 100\text{M}\Omega$
- 7、耐电压Withstand voltage: 200VAC(rms)
- 8、适用基板厚度Applicable PC board thickness: 1.6mm to 2.0mm

## ● 安装尺寸 Mounting Measurement

### ● 立式 Straight Angle



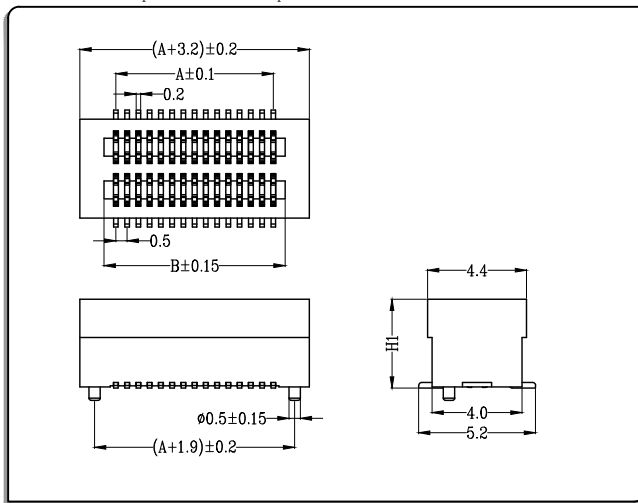
H	H1	H2	H3
3.0	2.2	0.8	1.6
3.5	2.2	1.3	1.6
4.0	3.0	1.0	1.9
4.5	3.5	1.0	1.9
5.0	4.0	1.0	1.9
5.5	4.5	1.0	1.9
6.0	4.0	2.0	1.9
6.5	4.5	2.0	1.9
7.0	3.0	4.0	1.9
7.5	3.5	4.0	1.9
8.0	4.0	4.0	1.9
8.5	4.5	4.0	1.9

# BTB 0.5双槽立贴 0.5mm Pitch

- 针座 Wafer

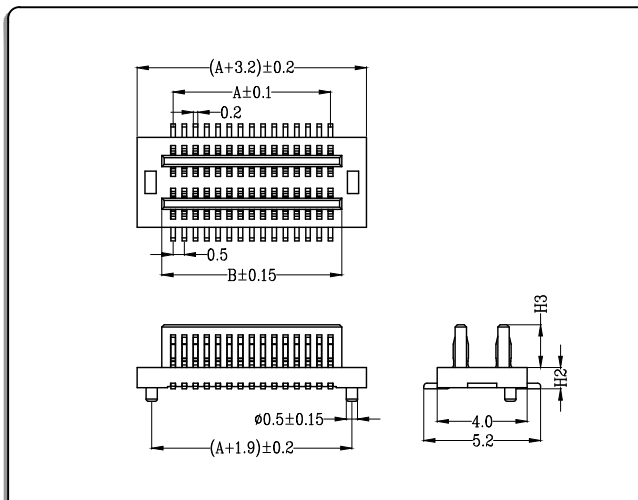
- 材料与表面处理 Material and Finish:

Housing:PA9T UL94V-0 & Terminal:phosphor bronze  
Finish: Tin-plated & Gold-plated



- 材料与表面处理 Material and Finish:

Housing:PA9T UL94V-0 & Terminal:phosphor bronze  
Finish: Tin-plated & Gold-plated



CKT	Part No	DIM A	DIM B
2*4	BT05***F-08	1.50	2.55
2*5	BT05***F-10	2.00	3.05
2*6	BT05***F-12	2.50	3.55
2*7	BT05***F-14	3.00	4.05
2*8	BT05***F-16	3.50	4.55
2*9	BT05***F-18	4.00	5.05
2*10	BT05***F-20	4.50	5.55
2*11	BT05***F-22	5.00	6.05
2*12	BT05***F-24	5.50	6.55
2*13	BT05***F-26	6.00	7.05
2*14	BT05***F-28	6.50	7.55
--	-- --	--	--
2*50	BT05***F-100	24.50	25.55

CKT	Part No	DIM A	DIM B
2*4	BT05***M-08	1.50	2.55
2*5	BT05***M-10	2.00	3.05
2*6	BT05***M-12	2.50	3.55
2*7	BT05***M-14	3.00	4.05
2*8	BT05***M-16	3.50	4.55
2*9	BT05***M-18	4.00	5.05
2*10	BT05***M-20	4.50	5.55
2*11	BT05***M-22	5.00	6.05
2*12	BT05***M-24	5.50	6.55
2*13	BT05***M-26	6.00	7.05
2*14	BT05***M-28	6.50	7.55
--	-- --	--	--
2*50	BT05***M-100	24.50	25.55

BTB  
0.5

BTB 0.5双槽立贴 0.5mm Pitch