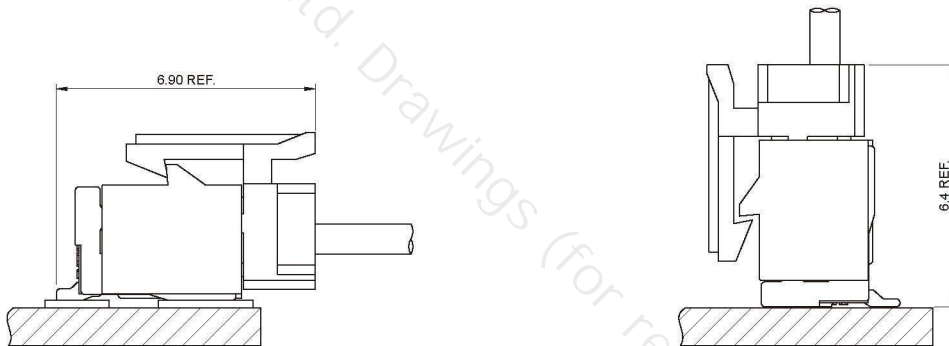


■ **Specifications**

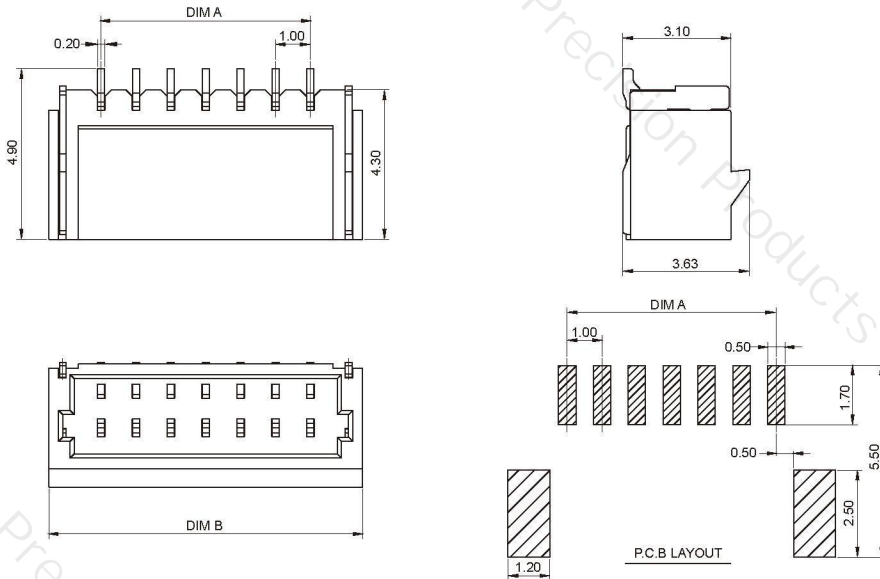
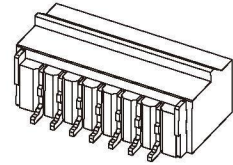
- Contact resistance: $\leq 20\text{m}\Omega$
- Insulation resistance: $\geq 100\text{M}\Omega$
- Rated voltage: 50V AC DC
- Rated current: 1.0A AC DC
- Withstand voltage: 500V AC/minute
- Temperature range: $-25^{\circ}\text{C} \sim +85^{\circ}\text{C}$

■ **Assembly Layout**



A1002AWR (1.00mm pitch 90°Wafer SMT TYPE)

- Reference Information:
- Material: Pin: Phosphor Bronze/Tin-plated
- Solder Tabs: Phosphor Bronze/Tin-plated
- Wafer: LCP,UL94V-0
- Mates with A1002 series Housing

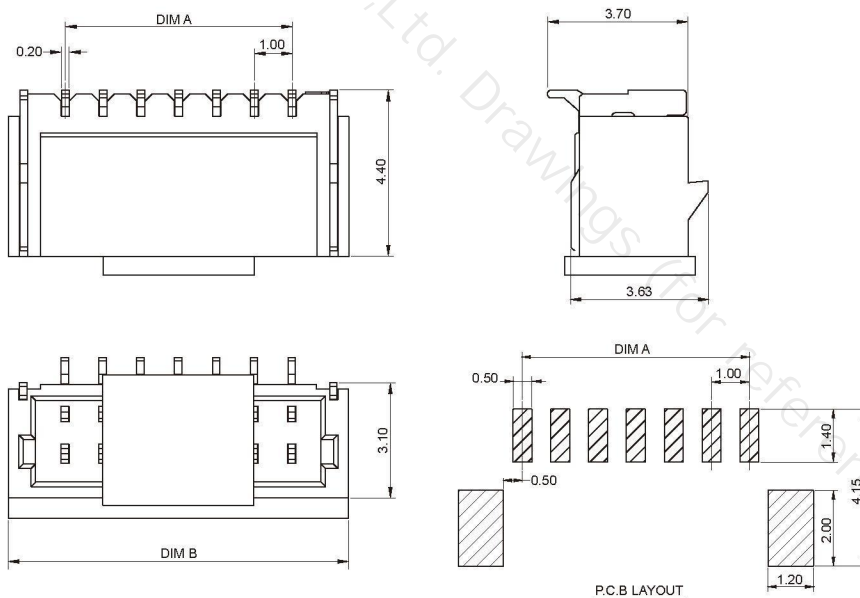
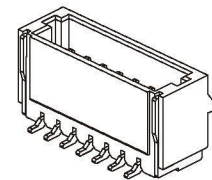


Ordering Information & Dimensions:

Circuit	Dimensions(mm)	
	A	B
02	1.00	4.00
03	2.00	5.00
04	3.00	6.00
05	4.00	7.00
06	5.00	8.00
07	6.00	9.00
08	7.00	10.00
09	8.00	11.00
10	9.00	12.00

A1002AWV (1.00mm pitch 180°Wafer SMT TYPE)

- Reference Information:
- Material: Pin: Phosphor Bronze/Tin-plated
- Solder Tabs: Phosphor Bronze/Tin-plated
- Wafer: LCP,UL94V-0
- Mates with A1002 series Housing



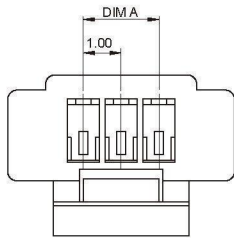
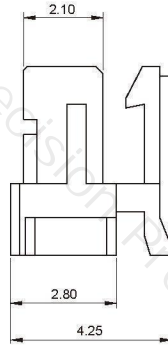
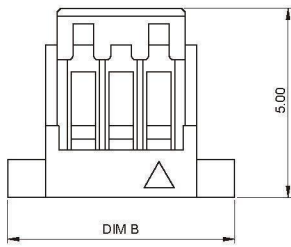
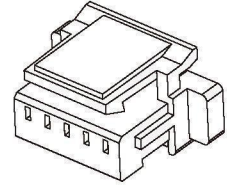
Ordering Information & Dimensions:

Circuit	Dimensions(mm)	
	A	B
02	1.00	4.00
03	2.00	5.00
04	3.00	6.00
05	4.00	7.00
06	5.00	8.00
07	6.00	9.00
08	7.00	10.00
09	8.00	11.00
10	9.00	12.00

A1002Y (1.00mm pitch Housing)

■ Reference Information:

Material: PA66,UL94V-0(2)
 Suitable A1001 series terminal
 Mates with A1002 series Wafer



Ordering Information & Dimensions:

Circuit	Dimensions(mm)	
	A	B
02	1.00	5.00
03	2.00	6.00
04	3.00	7.00
05	4.00	8.00
06	5.00	9.00
07	6.00	10.00
08	7.00	11.00
09	8.00	12.00
10	9.00	13.00