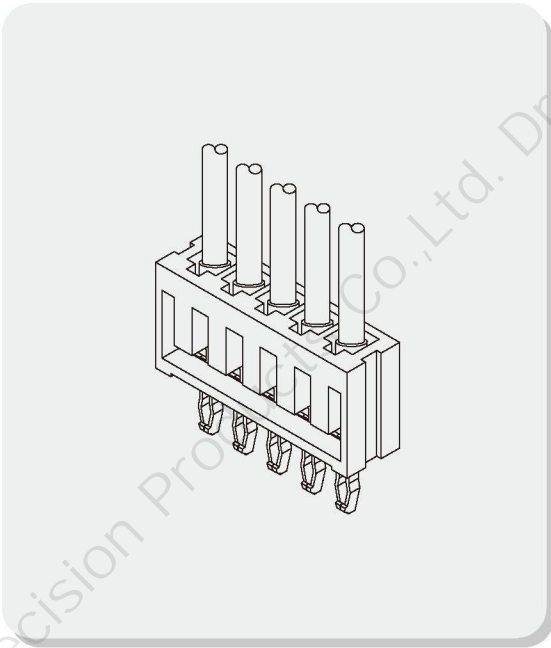


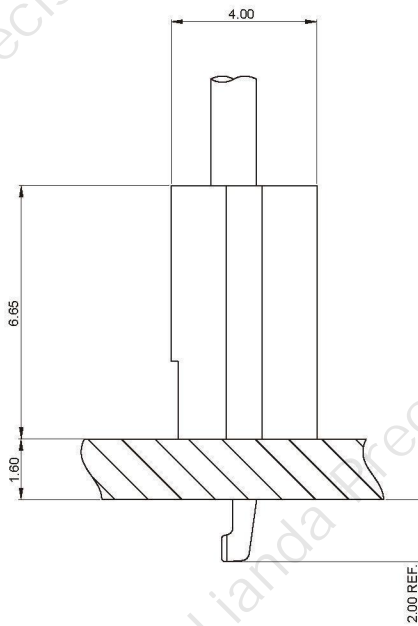
B2501 SERIE 2.50mm pitch board to board connector



■ Specifications

- Contact resistance: $\leq 20\text{m}\Omega$
- Insulation resistance: $\geq 1000\text{M}\Omega$
- Rated voltage: 250V AC DC
- Rated current: 2.0A AC DC
- Withstand voltage: 800V AC/minute
- Temperature range: $-25^{\circ}\text{C} \sim +85^{\circ}\text{C}$

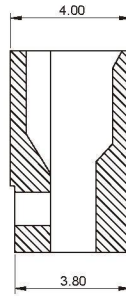
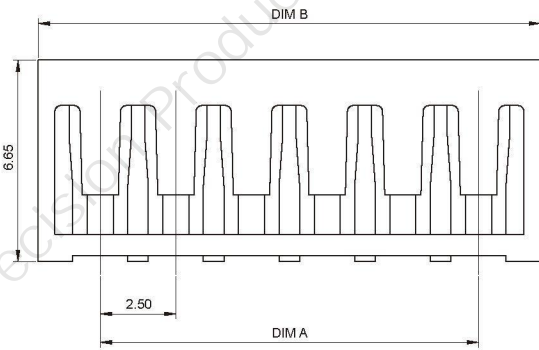
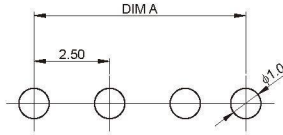
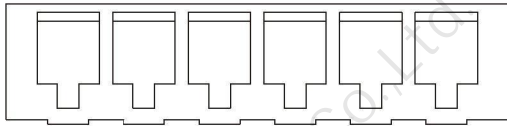
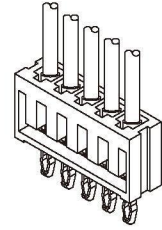
■ Assembly Layout



B2501 SERIE 2.50mm pitch board to board connector

B2501Y (2.50mm pitch Housing)

- Reference Information:
Material: PA66,UL94V-0(2)

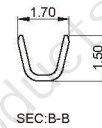
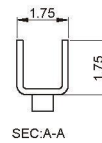
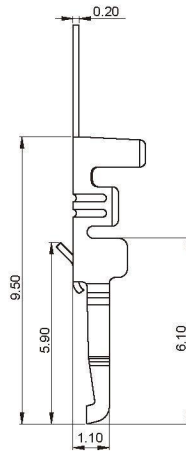
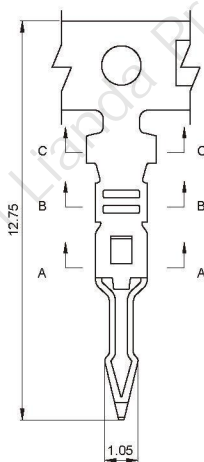


Ordering Information & Dimensions:

Circuit	Dimensions(mm)	
	A	B
02	2.50	6.55
03	5.00	9.05
04	7.50	11.55
05	10.00	14.05
06	12.50	16.55
07	15.00	19.05
08	17.50	21.55
09	20.00	24.05
10	22.50	26.55
11	25.00	29.05
12	27.50	31.55
13	30.00	34.05
14	32.50	36.55
15	35.00	39.05
16	37.50	41.55

B2501T (2.50mm pitch Terminal)

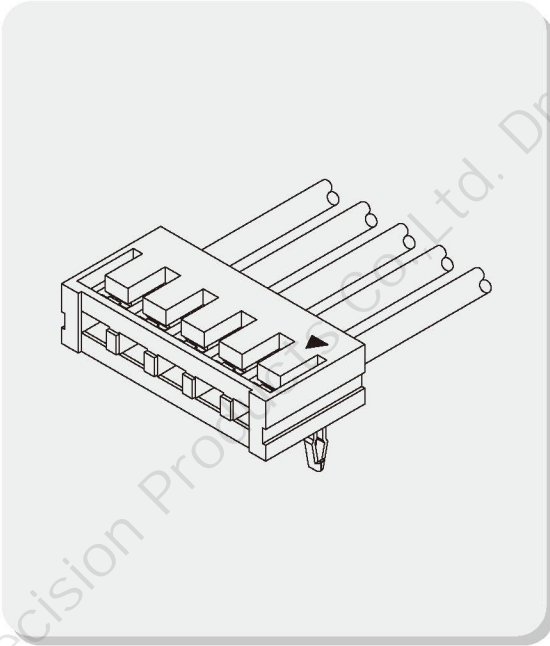
- Reference Information:
Used in B2501Y series Housing



Ordering Information & Dimensions:

Part No	Wire Range	Insulation O.D.	Material	Finish	Qty/Reel
B2501T	AWG #22~#28	1.70mm(max)	Phosphor bronze	Tin-plated	10000PCS

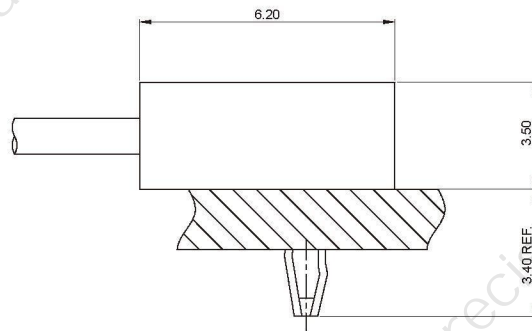
B2502 SERIE 2.50mm pitch board to board connector



■ Specifications

- Contact resistance: $\leq 20\text{m}\Omega$
- Insulation resistance: $\geq 1000\text{M}\Omega$
- Rated voltage: 250V AC DC
- Rated current: 2.0A AC DC
- Withstand voltage: 800V AC/minute
- Temperature range: $-25^{\circ}\text{C} \sim +85^{\circ}\text{C}$

■ Assembly Layout



WIRE TO BOARD

BOARD TO BOARD

WIRE TO WIRE

FPC SERIES

THR SERIES

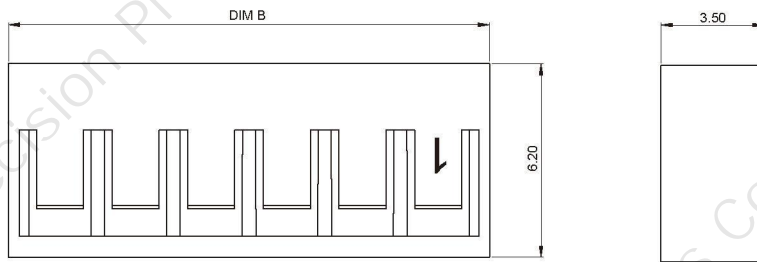
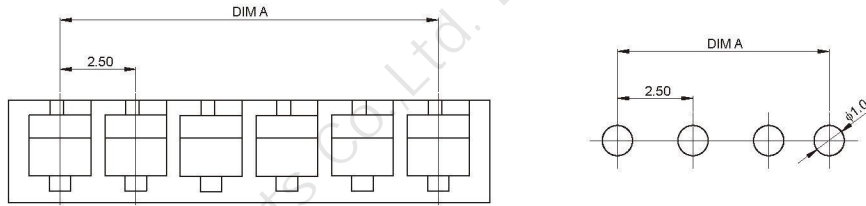
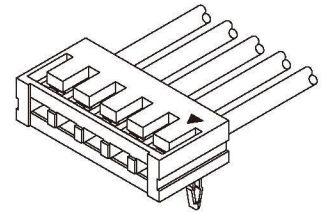
LIGHTING SERIES

OTHER SERIES

B2502 SERIE 2.50mm pitch board to board connector

B2502Y (2.50mm pitch Housing)

- Reference Information:
Material: PA66,UL94V-0(2)

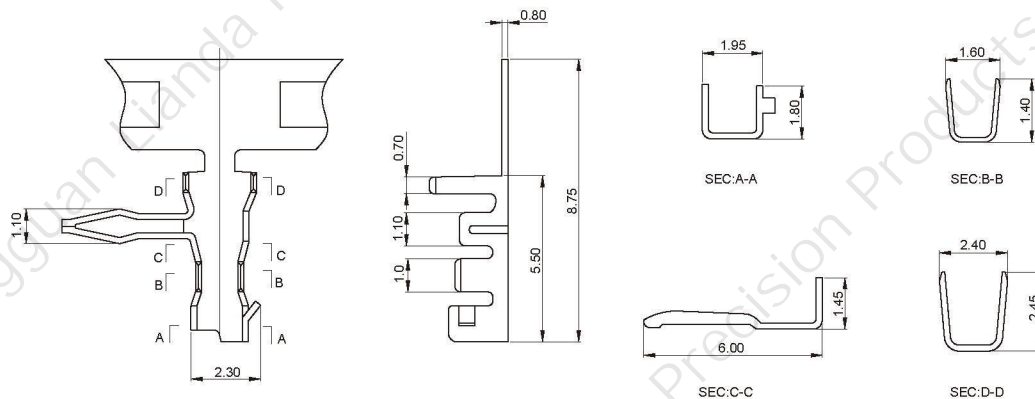


Ordering Information & Dimensions:

Circuit	Dimensions(mm)	
	A	B
02	2.50	5.80
03	5.00	8.30
04	7.50	10.80
05	10.00	13.30
06	12.50	15.80
07	15.00	18.30
08	17.50	20.80
09	20.00	23.30
10	22.50	25.80
11	25.00	28.30
12	27.50	30.80
13	30.00	33.30
14	32.50	35.80
15	35.00	38.30
16	37.50	40.80

B2502T (2.50mm pitch Terminal)

- Reference Information:
Used in B2502Y series Housing



Ordering Information & Dimensions:

Part No	Wire Range	Insulation O.D.	Material	Finish	Qty/Reel
B2502T	AWG #22~#28	1.70mm(max)	Phosphor bronze	Tin-plated	10000PCS