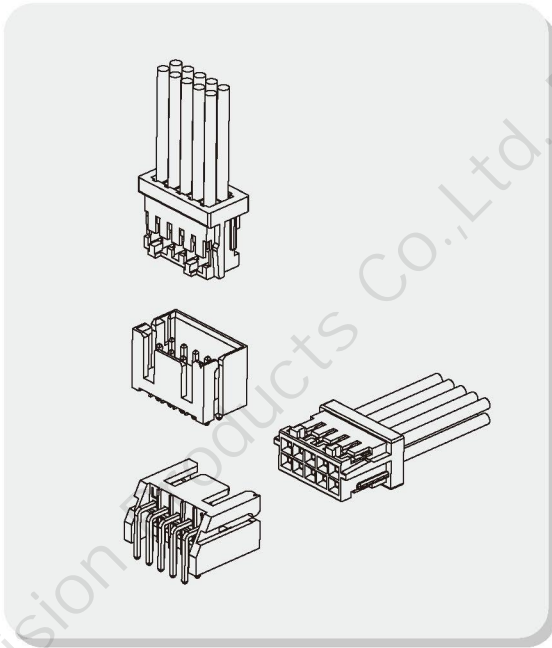


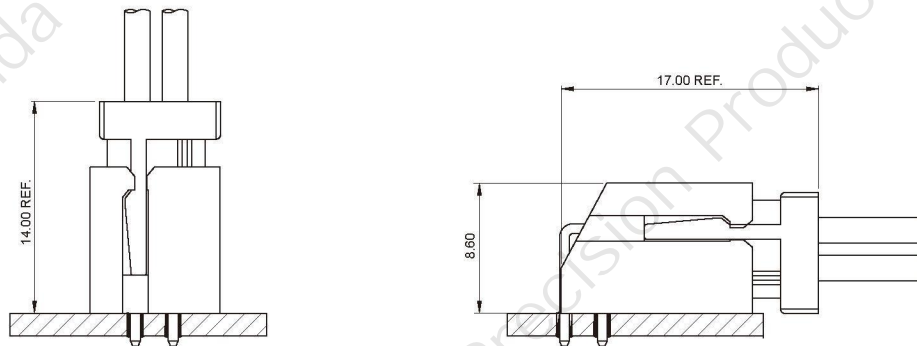
## T2508 SERIES 2.50mm pitch Through Hole Reflow Type Connector



### ■ Specifications

- Contact resistance:  $\leq 30\text{m}\Omega$
- Insulation resistance:  $\geq 1000\text{M}\Omega$
- Rated voltage: 250V AC DC
- Rated current: 3.0A AC DC
- Withstand voltage: 800V AC/minute
- Temperature range:  $-25^{\circ}\text{C} \sim +105^{\circ}\text{C}$

### ■ Assembly Layout



WIRE TO BOARD

BOARD TO BOARD

WIRE TO WIRE

FPC SERIES

THR SERIES

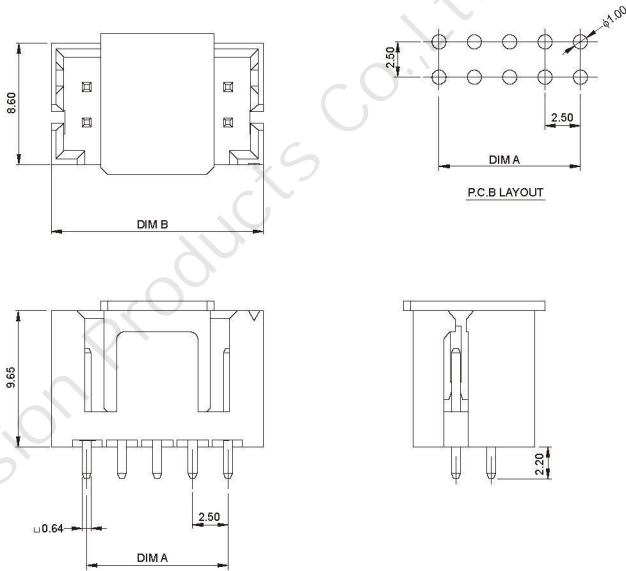
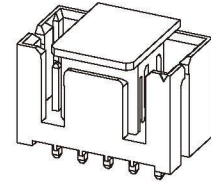
LIGHTING SERIES

OTHER SERIES

# T2508 SERIES 2.50mm pitch Through Hole Reflow Type Connector

## T2508A (2.50mm pitch 180°Wafer DIP TYPE)

- Reference Information:
- Material: Pin: Brass/Tin-plated
- Wafer: PA46,UL94V-0
- Mates with A2508 series Housing

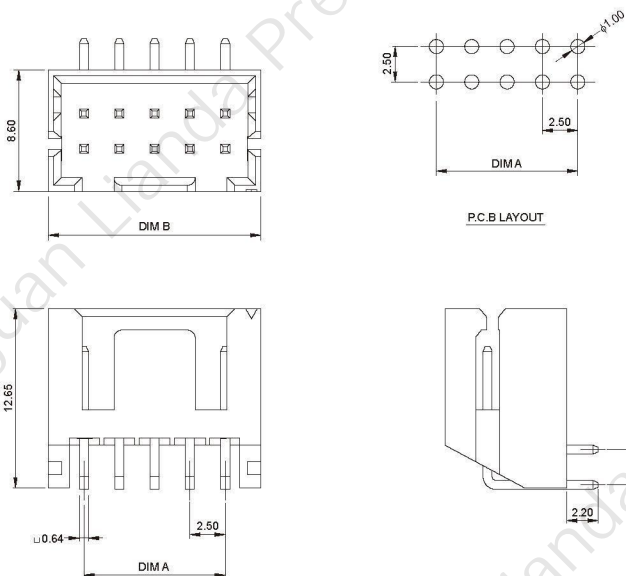
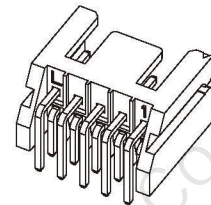


### Ordering Information & Dimensions:

Circuit	Dimensions(mm)	
	A	B
2*2	2.50	7.50
2*3	5.00	10.00
2*4	7.50	12.50
2*5	10.00	15.00
2*6	12.50	17.50
2*7	15.00	20.00
2*8	17.50	22.50
2*9	20.00	25.00
2*10	22.50	27.50
2*11	25.00	30.00
2*12	27.50	32.50

## T2508AWD (2.50mm pitch 90°Wafer DIP TYPE)

- Reference Information:
- Material: Pin: Brass/Tin-plated
- Wafer: PA46,UL94V-0
- Mates with A2508 series Housing



### Ordering Information & Dimensions:

Circuit	Dimensions(mm)	
	A	B
2*2	2.50	7.50
2*3	5.00	10.00
2*4	7.50	12.50
2*5	10.00	15.00
2*6	12.50	17.50
2*7	15.00	20.00
2*8	17.50	22.50
2*9	20.00	25.00
2*10	22.50	27.50
2*11	25.00	30.00
2*12	27.50	32.50

WIRE TO BOARD

BOARD TO BOARD

WIRE TO WIRE

FPC SERIES

THR SERIES

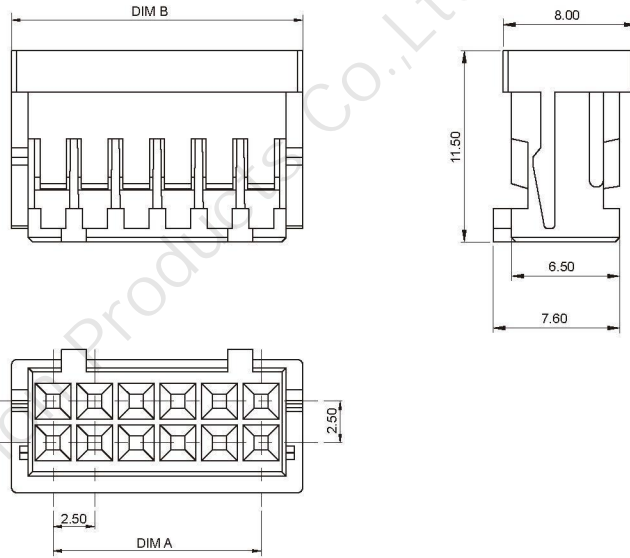
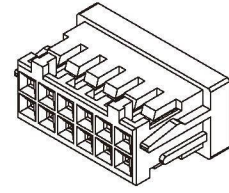
LIGHTING SERIES

OTHER SERIES

# T2508 SERIES 2.50mm pitch Through Hole Reflow Type Connector

## A2508Y (2.50mm pitch Housing)

- Reference Information:
- Material: PA66,UL94V-0(2)
- Mates with A2508 series Wafer

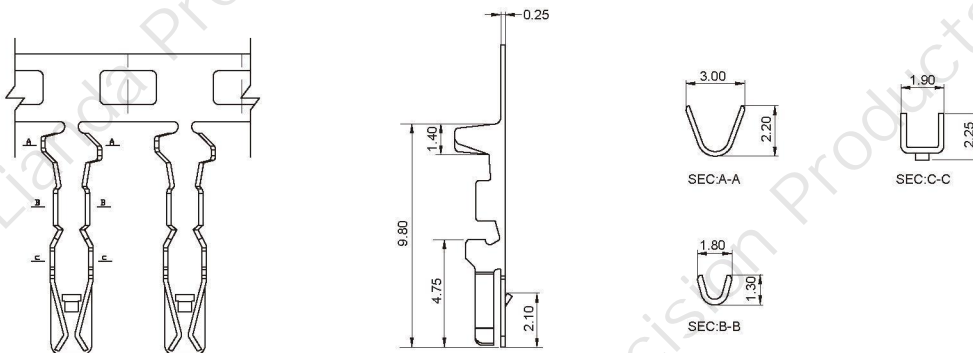


### Ordering Information & Dimensions:

Circuit	Dimensions(mm)	
	A	B
02	2.50	7.50
03	5.00	10.00
04	7.50	12.50
05	10.00	15.00
06	12.50	17.50
07	15.00	20.00
08	17.50	22.50
09	20.00	25.00
10	22.50	27.50
11	25.00	30.00
12	27.50	32.50

## A2508T (2.5mm pitch Terminal)

- Reference Information:
- Used in A2508 series Housing



### Ordering Information & Dimensions:

Part No	Wire Range	Insulation O.D.	Material	Finish	Qty/Reel
A2508T	AWG #22~#30	1.90mm(Max)	Phosphor bronze	Tin-plated	/

WIRE TO BOARD

BOARD TO BOARD

WIRE TO WIRE

FPC SERIES

THR SERIES

LIGHTING SERIES

OTHER SERIES