

NOTES:

MATERIAL:

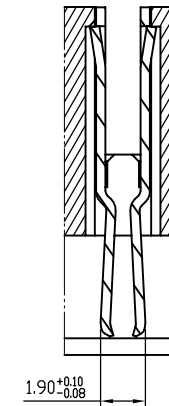
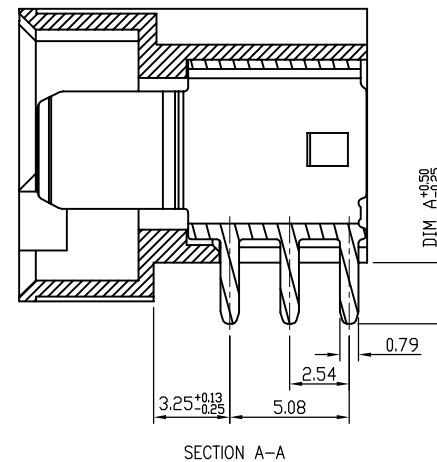
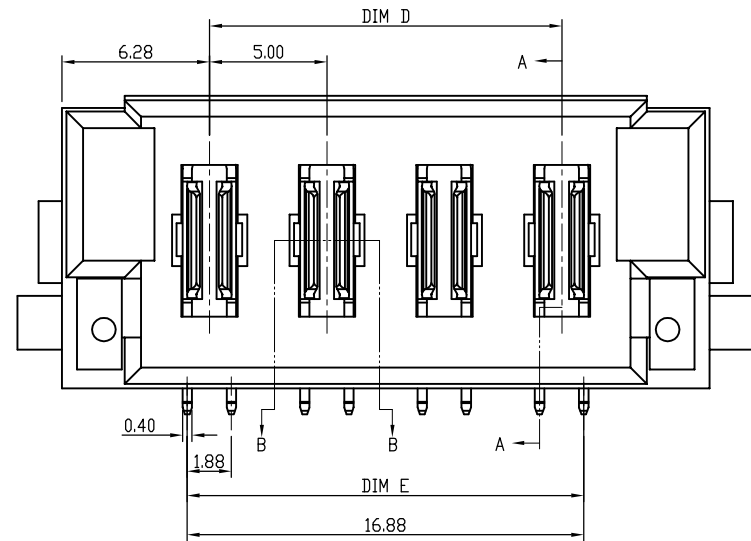
- 1. HOUSING: THERMO-PLASTIC. UL 94V-0 NATURE
- 2. CONTACT: PHOSPHOR BRONZE
CONTACT: SEE ORDER INFORMATION;
SOLDER: 10μ" GOLD IN CONTACT AREA, MATTE TIN ON TAIL
- 3. LOCKING CLIP:
MATTE TIN CONTACT AND TAIL

ELECTRICAL:

- 1. CURRENT RATING: 23A-58.7 PER POWER BLADE
- 2. WITHSTANDING VOLTAGE: 250V AC for 1 min
- 3. CONTACT RESISTANCE: 30mΩ MAX
- 4. INSULATION RESISTANCE: 1000MΩ MIN

ENVIRONMENTAL:

- 1. OPERATING TEMPERATURE: -55° TO +125°.



SECTION B-B



| | | | | | | | | | | | | |
|-----------|----------------|-------------------|-----------------|--|-------------|----------------------------------|------------|---|------------------------------|------------------|----------------------|-----------------|
| | | | | 一般公差 GENERAL TOLERANCE .XX ±0.30 .XX ±0.13 .XX ±0.05 ANGLES ±2° | | EAST_ZHOU 制图 (DR): 2022.03.03 | | HIGH-POWER SYSTEMS PLUG 品名 (TITLE): CONN | | | | |
| A0 | NEW EDITION | | East_Zhou | | 2022.03.03 | | 审核 (CHKD): | | 料号 (PART NO): LPT05x-xxx-BxT | | | |
| 修订 SER | 修改 REVISION | 摘要 DESCRIPTION | 签名 SIGNATURE | 日期 DATE | 版本 (REV) | | 核准 (APPD): | | 比例 (SCALE) 1:1 | 单位 (UNITS) mm | 张数 (SHEET) 1 OF 2 | 图幅 (SIZE) A4 |

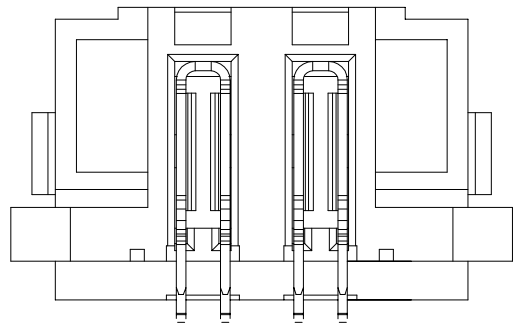


FIG 1
LPT05x-x02-BSR

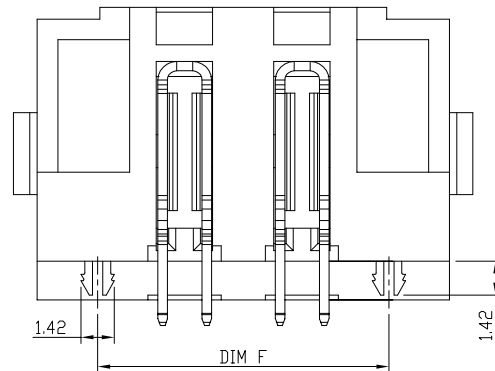
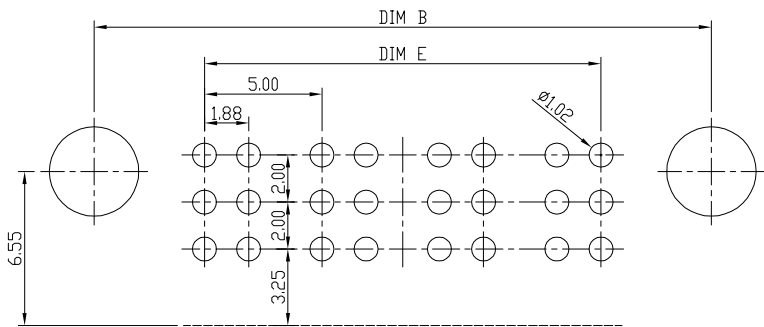
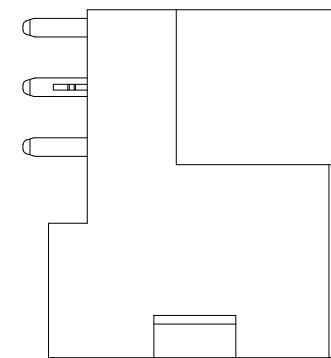
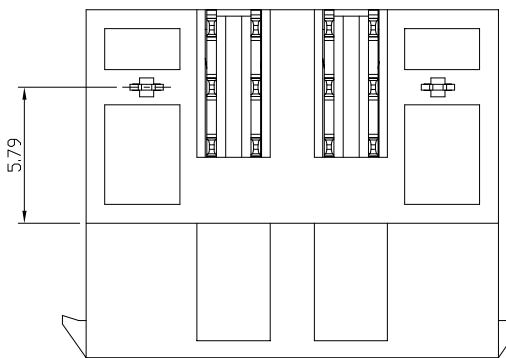
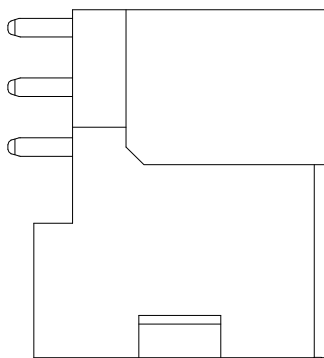
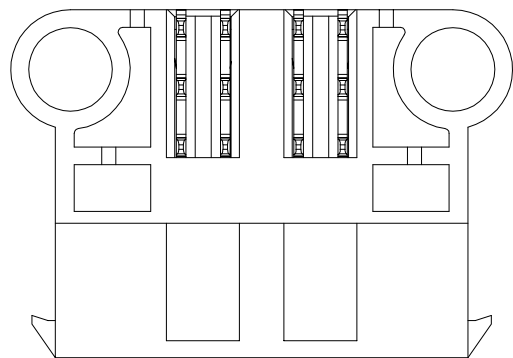
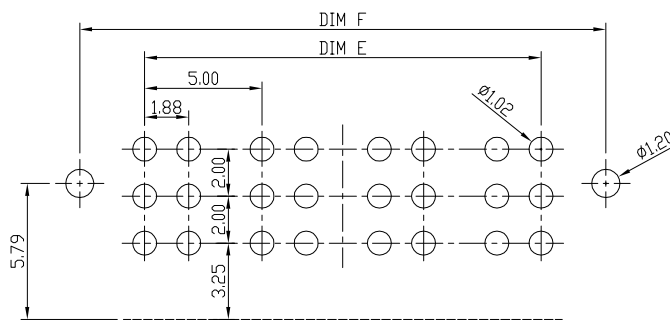


FIG 2
LPT05x-x02-BLR



Recommended PC board pattern
(TOP VIEW)
LPT05x-xxx-BSR



Recommended PC board pattern
(TOP VIEW)
LPT05x-xxx-BLR

| PIN | DIM B | DIM C | DIM D | DIM E | DIM F |
|-----|-------|-------|-------|-------|-------|
| 2 | 16.28 | 17.56 | 5.00 | 6.88 | 12.40 |
| 4 | 26.28 | 27.56 | 15.00 | 16.88 | 22.40 |
| 6 | 36.28 | 37.56 | 25.00 | 26.88 | 32.40 |
| 8 | 46.28 | 47.56 | 35.00 | 36.88 | 42.40 |

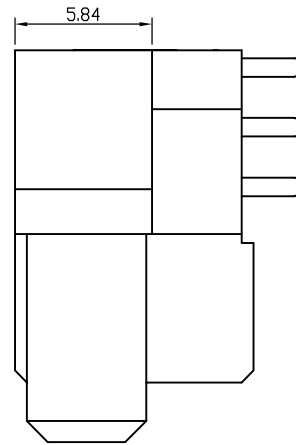
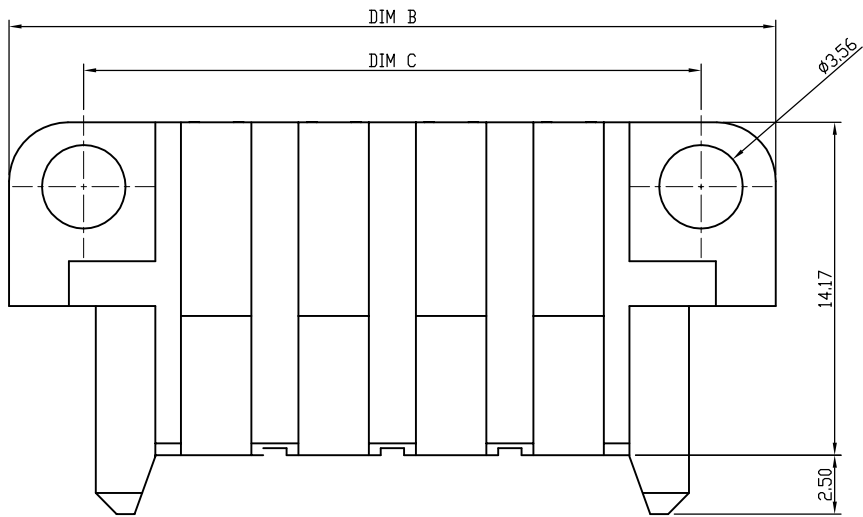


| 版本 (REV) | 修改摘要 (REVISION DESCRIPTION) | 签名 (SIGNATURE) | 日期 (DATE) |
|----------|-----------------------------|----------------|------------|
| A0 | NEW EDITION | East_Zhou | 2022.03.03 |
| SER | REVISION DESCRIPTION | SIGNATURE | DATE |

| 一般公差 (GENERAL TOLERANCE) |
|--------------------------|
| XX ±0.30 |
| XXX ±0.15 |
| XXXX ±0.05 |
| 角度 (ANGLES) |
| ±2° |

| | |
|------------|----------------------------------|
| 审核 (CHKD): | EAST_ZHOU 制图 (DR): 2022.03.03 |
| 核准 (APPD): | |

| | | | | |
|---------------|-------------------------|-------------|----|-------------|
| 品名 (TITLE): | HIGH-POWER SYSTEMS PLUG | | | |
| 料号 (PART NO): | LPT05x-xxx-BxT | | | |
| 比例 (SCALE): | 1:1 | 单位 (UNITS): | mm | 张数 (SHEET): |
| | | | | 2 OF 2 |
| | | | | 图幅 (SIZE): |
| | | | | A4 |



NOTES:

MATERIAL:

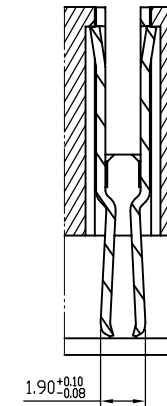
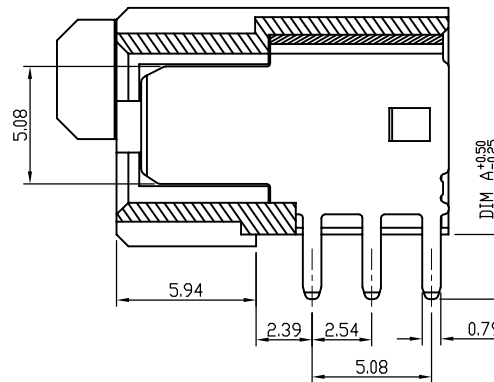
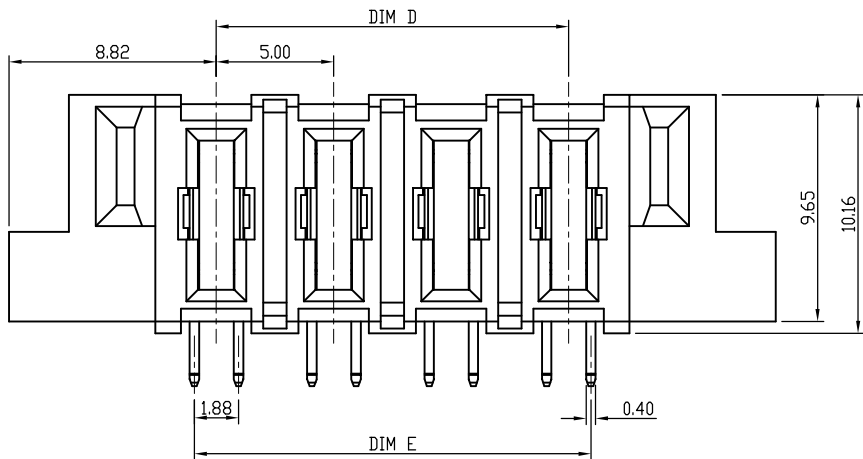
- 1.HOUSING:THERMO-PLASTIC. UL 94V-0 NATURE
- 2.CONTACT:PHOSPHOR BRONZE
CONTACT:SEE ORDER INFORMATION;
SOLDER:10μ" GOLD IN CONTACT AREA, MATTE TIN ON TAIL
- 3.LOCKING CLIP:
MATTE TIN CONTACT AND TAIL

ELECTRICAL:

- 1.CURRENT RATING:23A-58.7 PER POWER BLADE
- 2.WITHSTANDING VOLTAGE:250V AC for 1 min
- 3.CONTACT RESISTANCE:30mΩ MAX
- 4.INSULATION RESISTANCE:1000MΩ MIN

ENVIRONMENTAL:

- 1. OPERATING TEMPERATURE:-55? TO +125?.



SECTION B-B



| | | | | | | | | | | | |
|-----------|--|------------------------------|--|---------------------------|--|---------------------|--|-----------------------------|--|---------------|--|
| | | | | 一般公差 GENERAL TOLERANCE | | EAST_ZHOU | | HIGH-POWER SYSTEMS SOCKET | | | |
| | | | | XX ±0.30 | | 制图 (DR): 2022.03.03 | | 品名(TITLE): CONN | | | |
| | | | | XXX ±0.13 | | 审核 (CHKD): | | 料号(PART NO): LPS05x-xxx-BxT | | | |
| | | | | ANGLES ±2° | | 版本 A | | 比例(SCALE): 1:1 | | 单位(UNITS): mm | |
| A0 | | NEW EDITION | | East_Zhou | | 2022.03.03 | | 张数(SHEET): 1 OF 2 | | 图幅(SIZE): A4 | |
| 修订 SER | | 修改摘要 REVISION DESCRIPTION | | 签名 SIGNATURE | | 日期 DATE | | 核准 (APPD): | | | |

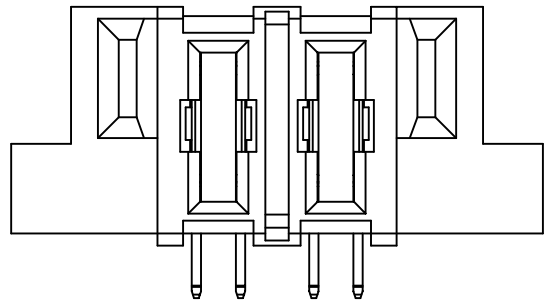


FIG 1
LPS05x-x02-BSR

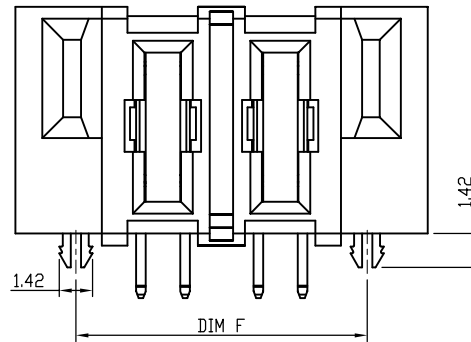
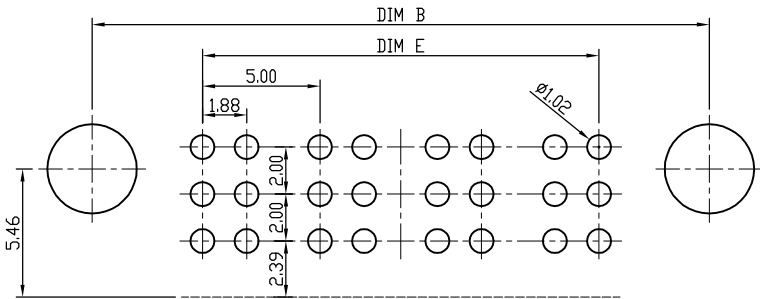
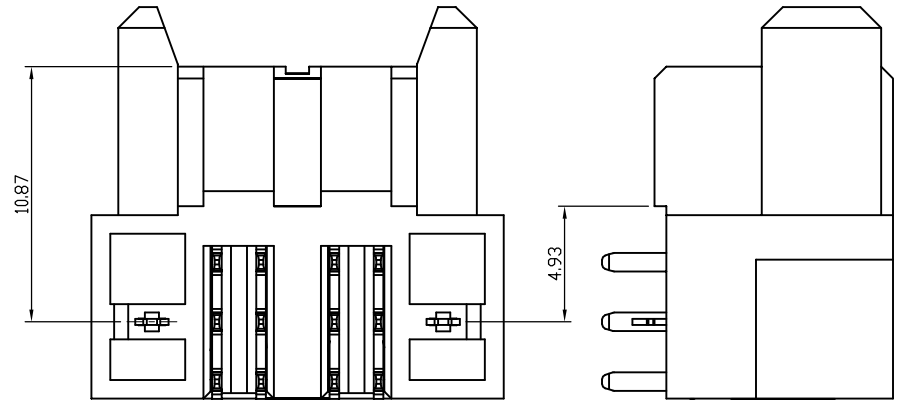
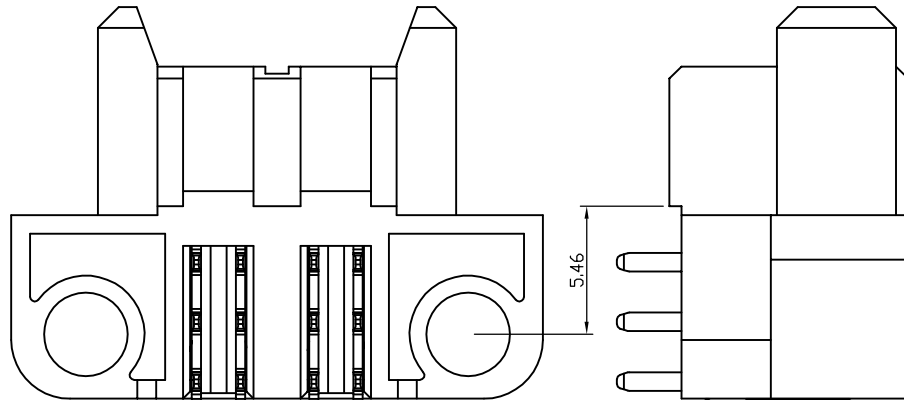
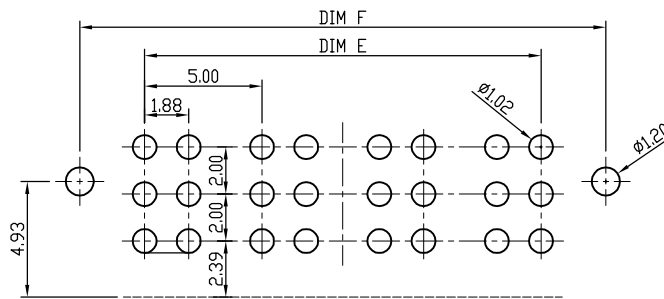


FIG 2
LPS05x-x02-BLR



Recommended PC board pattern
(TOP VIEW)
LPS05x-xxx-BSR



Recommended PC board pattern
(TOP VIEW)
LPS05x-xxx-BLR

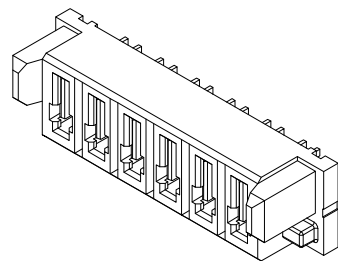
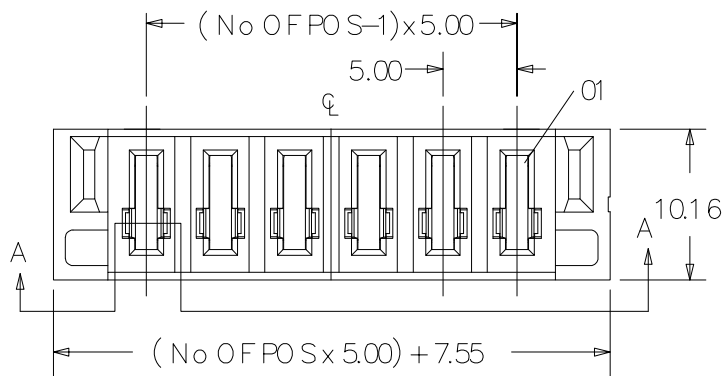
| PIN | DIM B | DIM C | DIM D | DIM E | DIM F |
|-----|-------|-------|-------|-------|-------|
| 2 | 22.63 | 16.28 | 5.00 | 6.88 | 12.40 |
| 4 | 32.63 | 26.28 | 15.00 | 16.88 | 22.40 |
| 6 | 42.63 | 36.28 | 25.00 | 26.88 | 32.40 |
| 8 | 52.63 | 46.28 | 35.00 | 36.88 | 42.40 |



| REV | REVISION DESCRIPTION | SIGNATURE | DATE |
|-----|----------------------|-----------|------------|
| A0 | NEW EDITION | East_Zhou | 2022.03.03 |

| | |
|---------------------------|--------------------------------------|
| 一般公差 GENERAL TOLERANCE | EAST_ZHOU 制图 (DR): 2022.03.03 |
| XXX ±0.30 | 品名(TITLE): HIGH-POWER SYSTEMS SOCKET |
| XXX ±0.13 | 料号(PART NO): LPS05x-xxx-BxT |
| XXX ±0.05 | 比例(SCALE): 1:1 |
| ANGLES ±2° | 单位(UNITS): mm |
| 版本 A (REV) | 张数(SHEET): 2 OF 2 |
| 核准 (APPD): | 图幅(SIZE): A4 |

| | |
|------------|------------|
| 审核 (CHKD): | 核准 (APPD): |
|------------|------------|



NOTES:

MATERIAL:

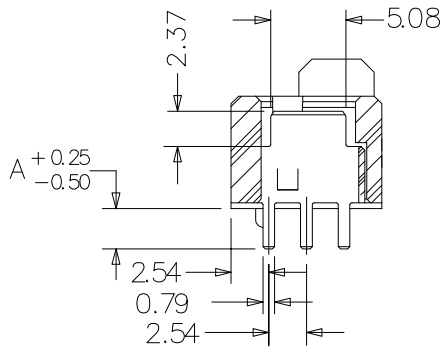
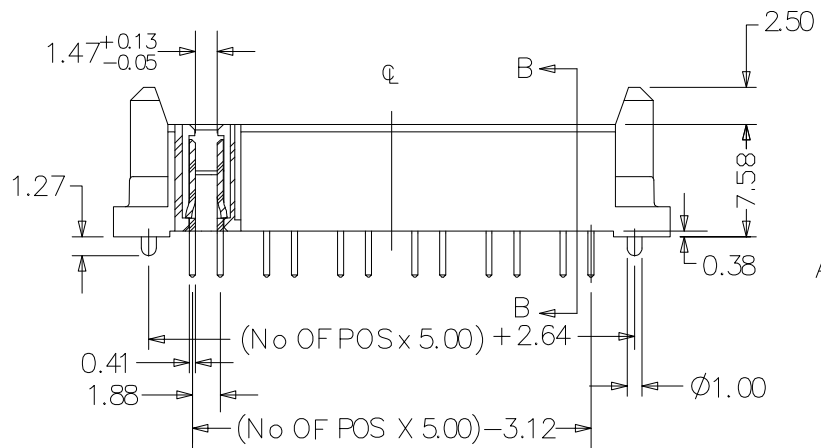
- 1.HOUSING:THERMO-PLASTIC. UL 94V-0 NATURE
- 2.CONTACT:PHOSPHOR BRONZE
CONTACT:SEE ORDER INF ORMATION;
SOLDER:10 μ " GOLD IN CONTACT AREA, MATTE TIN ON TAIL
- 3.LOCKING CLIP:
MATTE TIN CONTACT AND TAIL

ELECTRICAL:

- 1.CURRENT RATING:23A-58.7 PER POWER BLADE
- 2.WITHSTANDING VOLTAGE:250V AC for 1 min
- 3.CONTACT RESISTANCE:30m Ω MAX
- 4.INSULATION RESISTANCE:1000M Ω MIN

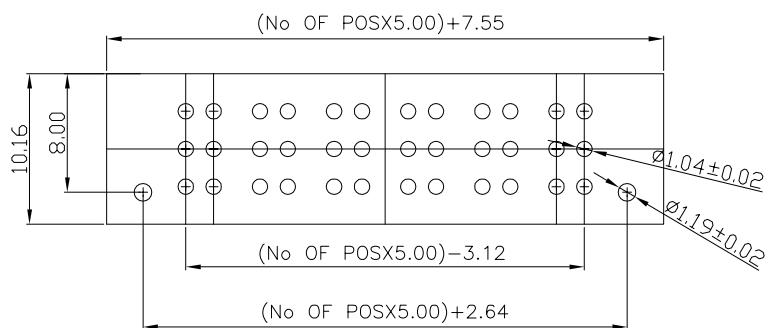
ENVIRONMENTAL:

1. OPERATING TEMPERATURE:-55°C TO +125°C.



SECTION A-A

SECTION B-B



Recommended PC board pattern
(TOP VIEW)

| STYLE | A |
|-------|------|
| 1 | 2.72 |
| 2 | 3.52 |



| 修订 SER | 修改摘要 REVISION DESCRIPTION | 签名 SIGNATURE | 日期 DATE |
|-----------|------------------------------|-----------------|------------|
| | | | |

| 版本 A (REV) | 一般公差 GENERAL TOLERANCE |
|---------------|---------------------------|
| | .X ± 0.30 |
| | .XX ± 0.13 |
| | .XXX ± 0.05 |
| | ANGLES $\pm 2^\circ$ |

| 制图 (DR): | EAST_ZHOU 2022.03.03 |
|------------|-------------------------|
| 审核 (CHKD): | TONG 2022.03.03 |

| 品名 (TITLE): | VERTICAL MINI POWER SOCKET | | | | |
|---------------|----------------------------|-------------|----|-------------|--------|
| 料号 (PART NO): | LMPS05*-***-BOT | | | | |
| 比例 (SCALE): | 1:1 | 单位 (UNITS): | mm | 张数 (SHEET): | 1 OF 1 |
| 图幅 (SIZE): | A4 | | | | |