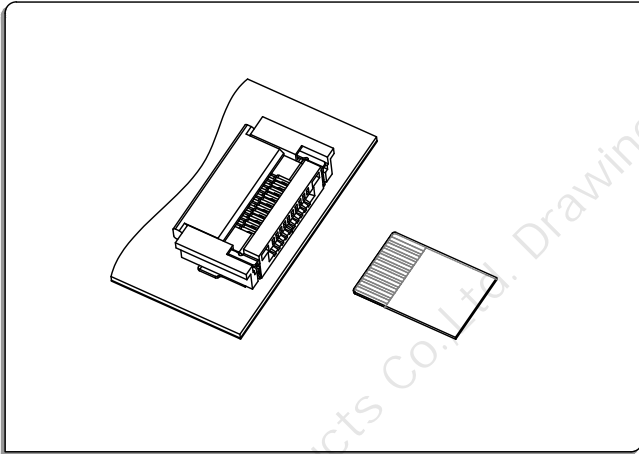


HW0527 Connector 0.5mm Pitch H2.7

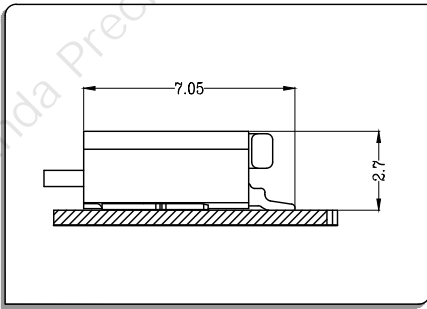


● 技术参数 SPECIFICATIONS

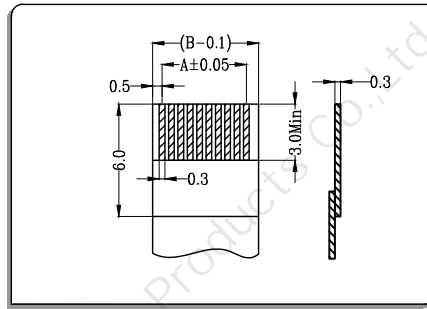
- 1、极数CKT: 10Pin to 68Pin
- 2、额定电流Current rating: 0.5A AC/DC
- 3、额定电压Voltage rating(max): 50V, AC/DC
- 4、工作温度Working Temperature: $-25^{\circ}\text{C} \sim +85^{\circ}\text{C}$,
(含通电温度上升值)
(Including temperature rise in applying electrical current)
- 5、接触电阻Contact resistance: 初始Initial value $\leq 20\text{m}\Omega$
环境测试后After environmental testing $\leq 40\text{m}\Omega$
- 6、绝缘电阻Insulation resistance: $\geq 100\text{M}\Omega$
- 7、耐电压Withstand voltage: 500VAC(rms)
- 8、适用基板厚度Applicable PC board thickness: 1.6mm to 2.0mm

● 安装尺寸 Mounting Measurement

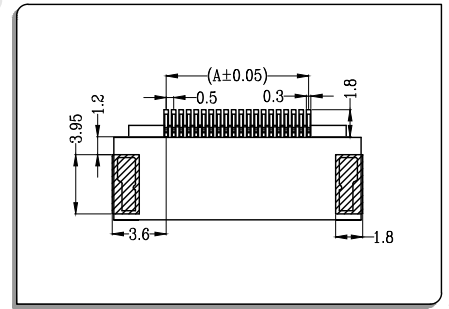
● Assembly Layout



● Applicable Flat Cable



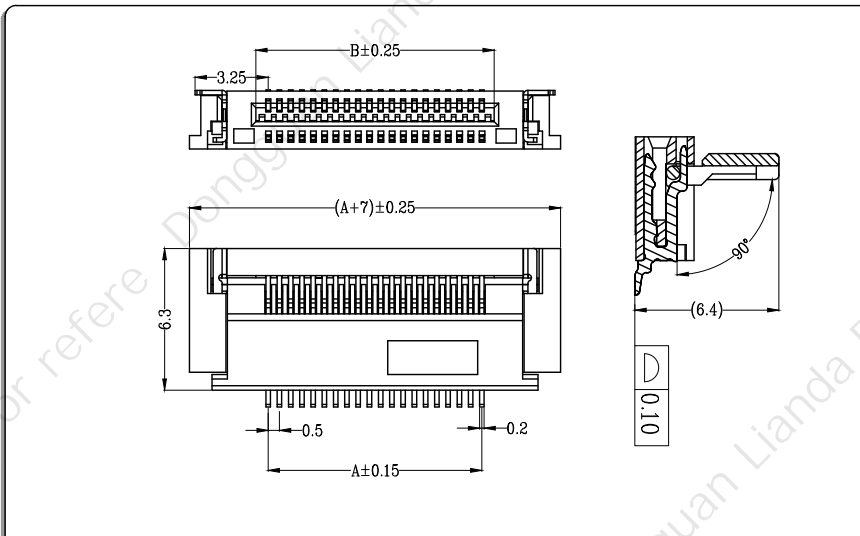
● P.C.B Layout



● 后压卧式(带扣) Back Flip R/A With Buckle

● 材料与表面处理 Material and Finish:

Housing:LCP UL94V-0 & Terminal:phosphor bronze &
Fitting:Brass; Finish:Tin-plated & Gold-plated



CKT	Part No	DIM A	DIM B
10	HW05270-10	4.50	5.60
14	HW05270-14	6.50	7.60
19	HW05270-19	9.00	10.10
20	HW05270-20	9.50	10.60
30	HW05270-30	14.50	15.60
32	HW05270-32	15.50	16.60
40	HW05270-40	19.50	20.60
41	HW05270-41	20.00	21.10
50	HW05270-50	24.50	25.60
51	HW05270-51	25.00	26.10
60	HW05270-60	29.50	30.60
--	--	--	--
68	HW05270-68	33.50	34.60