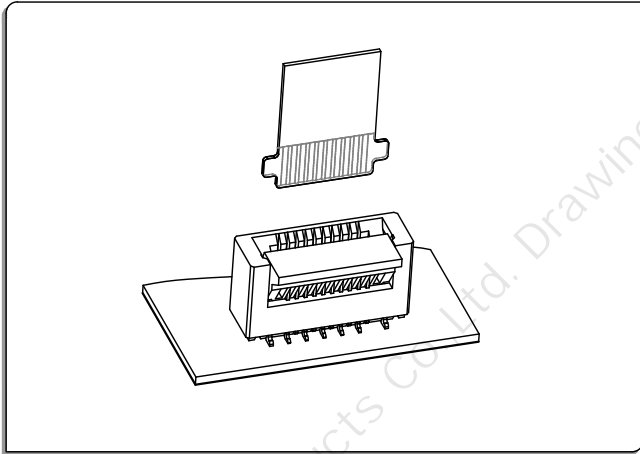


# XL0552 Connector 0.5mm Pitch H5.2

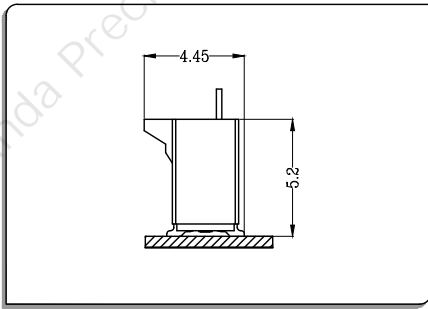


## ● 技术参数 SPECIFICATIONS

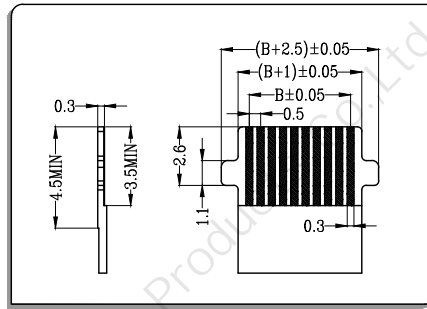
- 1、极数CKT: 5Pin to 80Pin
- 2、额定电流Current rating: 0.5A AC/DC
- 3、额定电压Voltage rating(max): 50V, AC/DC
- 4、工作温度Working Temperature: -25°C~+85°C,  
(含通电温度上升值)  
(Including temperature rise in applying electrical current)
- 5、接触电阻Contact resistance:  $\leq 50m\Omega$
- 6、绝缘电阻Insulation resistance:  $\geq 500M\Omega$
- 7、耐电压Withstand voltage: 150VAC(rms)
- 8、适用基板厚度Applicable PC board thickness: 1.6mm to 2.0mm

## ● 安装尺寸 Mounting Measurement

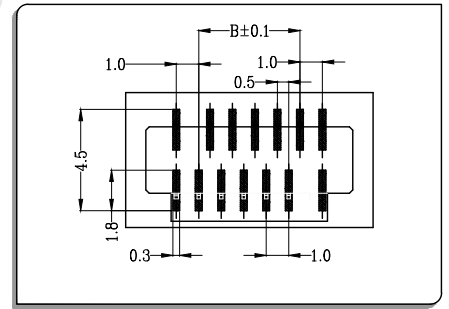
### ● Assembly Layout



### ● Applicable Flat Cable



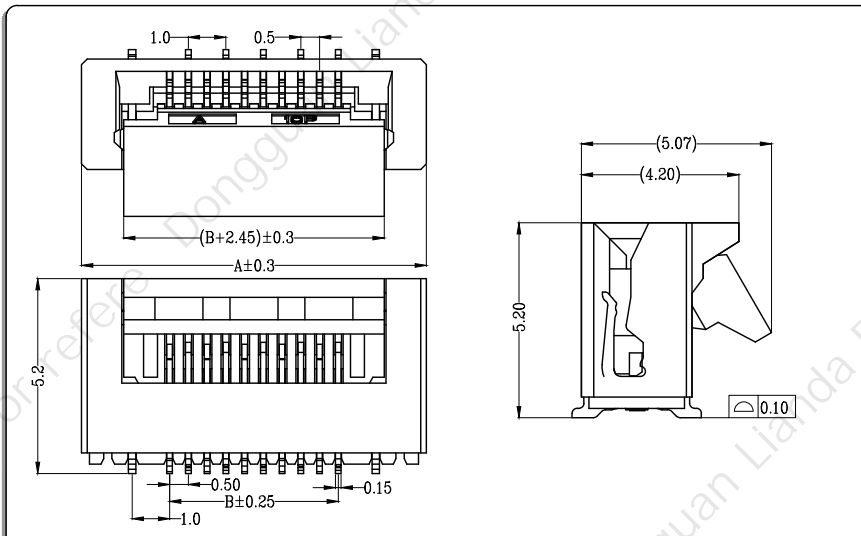
### ● P. C. B Layout



## ● 掀盖立式(正脚)带扣 Easy-on S/T Positive pointer With Buckle

### ● 材料与表面处理 Material and Finish:

Housing:LCP UL94V-0 & Terminal:phosphor bronze &  
Fitting:phosphor bronze; Finish:Tin-plated & Gold-plated



CKT	Part No	DIM A	DIM B
5	XL05523-05	6.70	2.00
6	XL05523-06	7.20	2.50
7	XL05523-07	7.70	3.00
8	XL05523-08	8.20	3.50
9	XL05523-09	8.70	4.00
10	XL05523-10	9.20	4.50
11	XL05523-11	9.70	5.00
12	XL05523-12	10.20	5.50
13	XL05523-13	10.70	6.00
14	XL05523-14	11.20	6.50
15	XL05523-15	11.70	7.00
--	--	--	--
80	XL05523-80	44.20	39.50