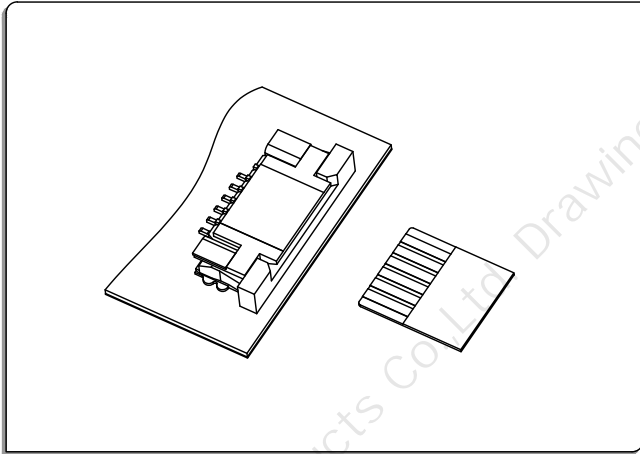


LW1025 Connector 1.0mm Pitch H2.5

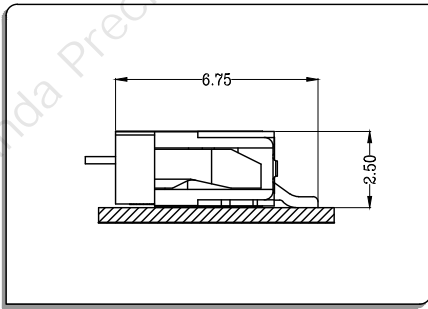


● 技术参数 SPECIFICATIONS

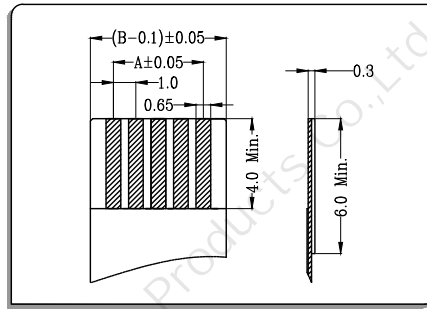
1. 极数CKT: 4Pin to 40Pin
2. 额定电流Current rating: 0.5A AC/DC
3. 额定电压Voltage rating(max): 50V, AC/DC
4. 工作温度Working Temperature: $-25^{\circ}\text{C} \sim +85^{\circ}\text{C}$,
(含通电温度上升值)
(Including temperature rise in applying electrical current)
5. 接触电阻Contact resistance: 初始Initial value $\leq 30\text{m}\Omega$
环境测试后After environmental testing $\leq 60\text{m}\Omega$
6. 绝缘电阻Insulation resistance: $\geq 500\text{M}\Omega$
7. 耐电压Withstand voltage: 250VAC(rms)
8. 适用基板厚度Applicable PC board thickness: 1.6mm to 2.0mm

● 安装尺寸 Mounting Measurement

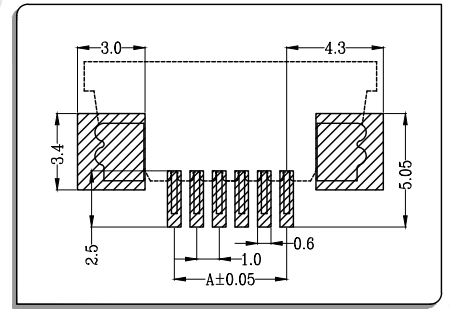
● Assembly Layout



● Applicable Flat Cable



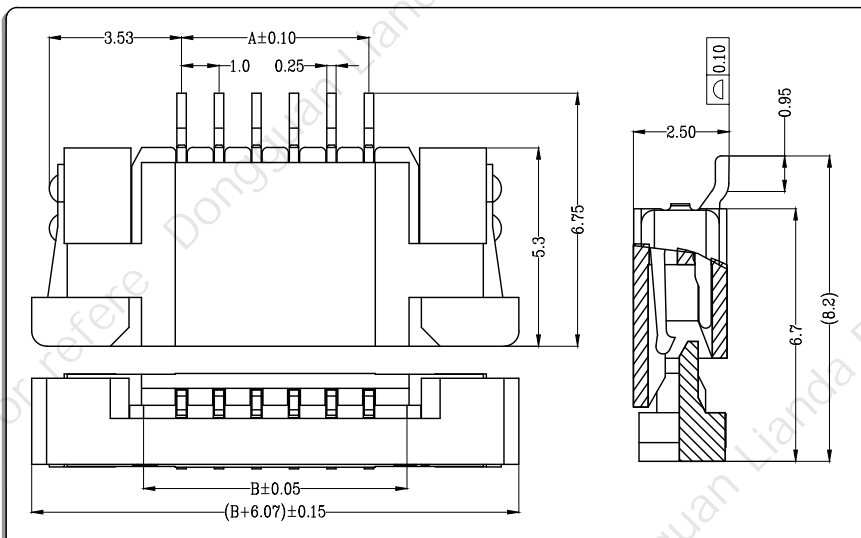
● P. C. B Layout



● 拉拔卧式上接触(抽屉式) ZIF R/A Upper contact

● 材料与表面处理 Material and Finish:

Housing:LCP UL94V-0 & Terminal:phosphor bronze &
Fitting:Brass; Finish:Tin-plated & Gold-plated



CKT	Part No	DIM A	DIM B
4	LW10251-04	3.00	5.03
5	LW10251-05	4.00	6.03
6	LW10251-06	5.00	7.03
7	LW10251-07	6.00	8.03
8	LW10251-08	7.00	9.03
9	LW10251-09	8.00	10.03
10	LW10251-10	9.00	11.03
11	LW10251-11	10.00	12.03
12	LW10251-12	11.00	13.03
13	LW10251-13	12.00	14.03
14	LW10251-14	13.00	15.03
--	-- --	--	--
40	LW10251-40	39.00	41.03