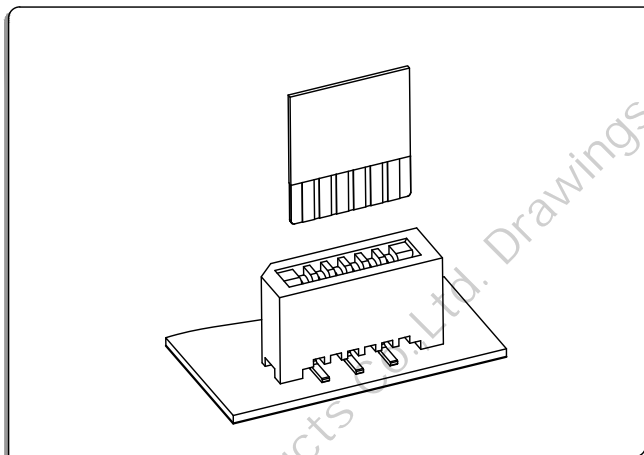


WL1055 Connector 1.0mm Pitch H5.5

FPC
1.0

WL1055 Connector 1.0mm Pitch

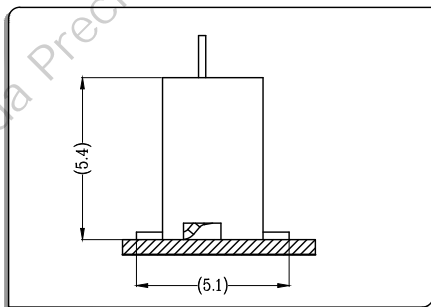


● 技术参数 SPECIFICATIONS

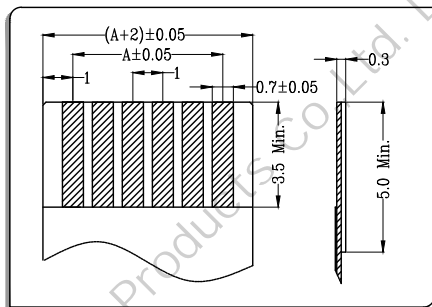
- 1、极数CKT: 4Pin to 30Pin
- 2、额定电流Current rating: 0.5A AC/DC
- 3、额定电压Voltage rating(max): 50V, AC/DC
- 4、工作温度Working Temperature: -25°C~+85°C, (含通电温度上升值)
(Including temperature rise in applying electrical current)
- 5、接触电阻Contact resistance:value $\leq 55m\Omega$
- 6、绝缘电阻Insulation resistance: $\geq 500M\Omega$
- 7、耐电压Withstand voltage: 500VAC(rms)
- 8、适用基板厚度Applicable PC board thickness: 1.6mm to 2.0mm

● 安装尺寸 Mounting Measurement

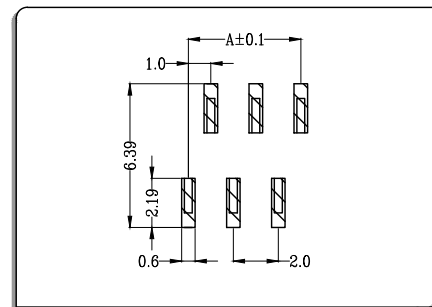
● Assembly Layout



● Applicable Flat Cable

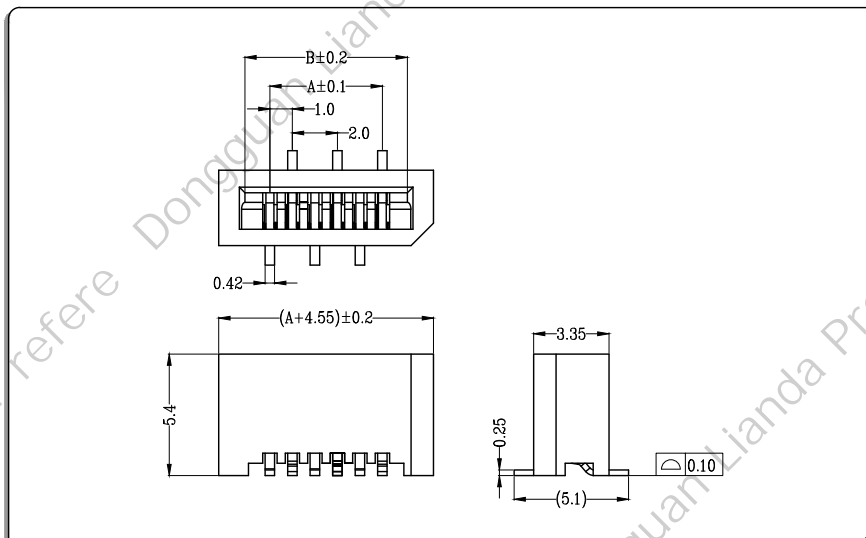


● P.C.B Layout



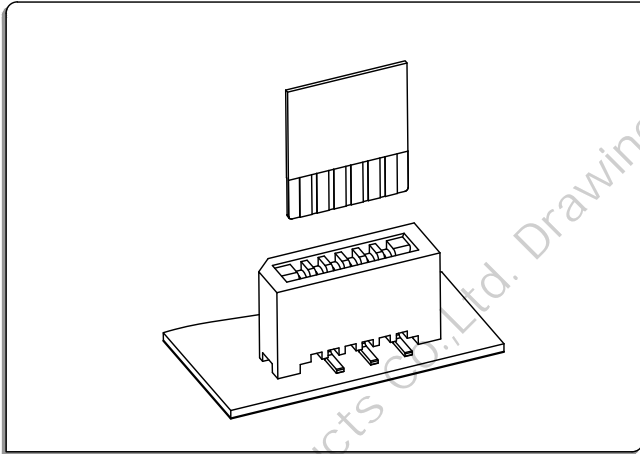
● 无盖立式(正脚) Non-ZIF S/T Positive pointer

- 材料与表面处理 Material and Finish:
Housing:LCP UL94V-0 & Terminal:phosphor bronze
Finish:Tin-plated & Gold-plated



CKT	Part No	DIM A	DIM B
4	WL10553-04	3.00	7.80
5	WL10553-05	4.00	8.80
6	WL10553-06	5.00	9.80
7	WL10553-07	6.00	10.80
8	WL10553-08	7.00	11.80
9	WL10553-09	8.00	12.80
10	WL10553-10	9.00	13.80
11	WL10553-11	10.00	14.80
12	WL10553-12	11.00	15.80
13	WL10553-13	12.00	16.80
14	WL10553-14	13.00	17.80
--	-- --	--	--
30	WL10553-30	29.00	33.80

WL1055 Connector 1.0mm Pitch H5.5

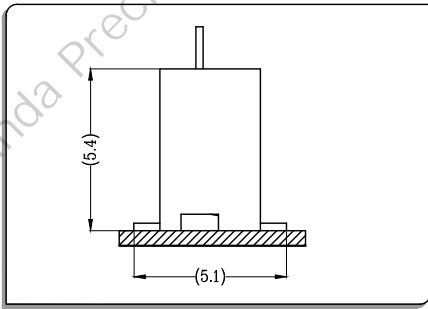


● 技术参数 SPECIFICATIONS

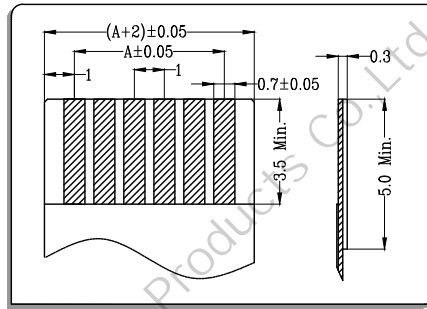
- 1、极数CKT: 4Pin to 30Pin
- 2、额定电流Current rating: 0.5A AC/DC
- 3、额定电压Voltage rating(max): 50V, AC/DC
- 4、工作温度Working Temperature: -25℃~+85℃, (含通电温度上升值)
(Including temperature rise in applying electrical current)
- 5、接触电阻Contact resistance:value $\leq 55\text{m}\Omega$
- 6、绝缘电阻Insulation resistance: $\geq 500\text{M}\Omega$
- 7、耐电压Withstand voltage: 500VAC(rms)
- 8、适用基板厚度Applicable PC board thickness: 1.6mm to 2.0mm

● 安装尺寸 Mounting Measurement

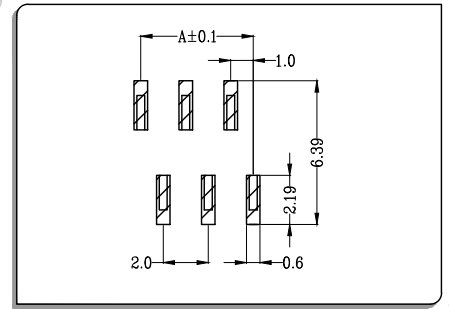
● Assembly Layout



● Applicable Flat Cable



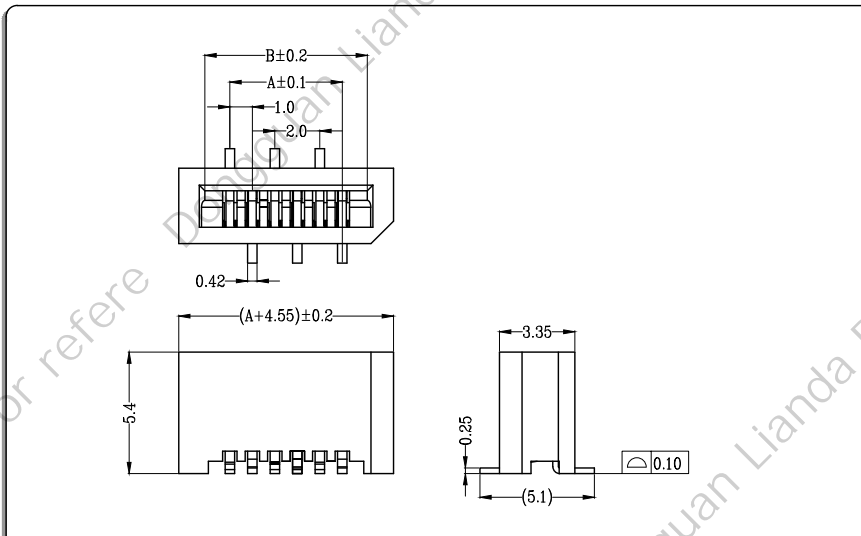
● P. C. B Layout



● 无盖立式(反脚) Non-ZIF S/T Reversed pointer

● 材料与表面处理 Material and Finish:

Housing:LCP UL94V-0 & Terminal:phosphor bronze
Finish:Tin-plated & Gold-plated



CKT	Part No	DIM A	DIM B
4	WL10554-04	3.00	7.80
5	WL10554-05	4.00	8.80
6	WL10554-06	5.00	9.80
7	WL10554-07	6.00	10.80
8	WL10554-08	7.00	11.80
9	WL10554-09	8.00	12.80
10	WL10554-10	9.00	13.80
11	WL10554-11	10.00	14.80
12	WL10554-12	11.00	15.80
13	WL10554-13	12.00	16.80
14	WL10554-14	13.00	17.80
—	— —	—	—
30	WL10554-30	29.00	33.80