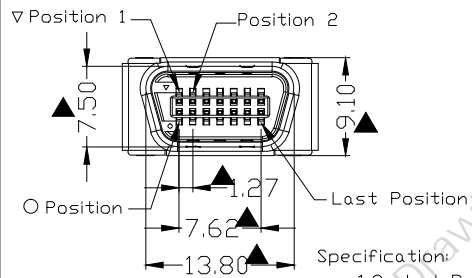
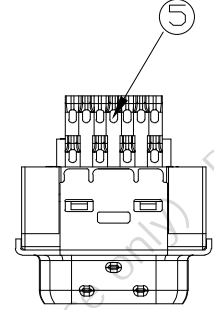
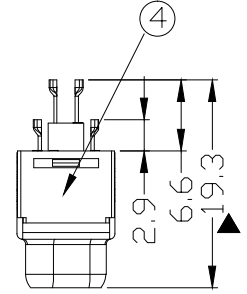
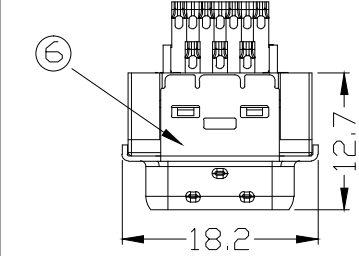
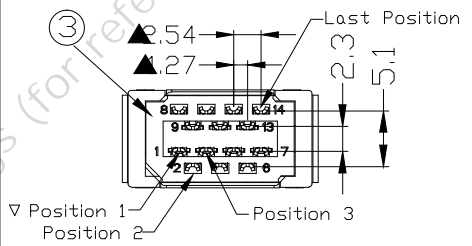


REV	ZONE	REVISION	DATE

⑥	SHELL	1	SPCC	Gold PLATING Or Nickel
⑤	contact	PINS	Copper Alloy	Gold PLATING
④	HOUSING	1	PBT	UL 94V-0
③	Cover	1	PBT	UL 94V-0
②	Clamp	2	Spcc	
①	Plastic shell	2	ABS	
ITEM	PART NAME	Q'TY/EA	MATETIALS	NOTE



Specification:

- Contact Resistance: 35 m Ohm Max.
- Insulation Resistance: 200 M Ohm Min. At 500V DC.
- Contact Current Rating: 1 Amp AC/DC
- Voltage Rating: 40V AC.
- Withstanding Voltage: 500V AC For 1 Minute.
- Operating Temperature: -25°C to +85°C
- Wire Accomodation: 24,26,28 & 30 AWG
- Packing: Tray
- Control Dimensions Indicated From "▲".

Material and Finish:

- Insulator Material: Glass Reinforced Polyester(PCT) UL94-V0,Black
- Contact Material: Phosphor Bronze(C5191-EH)T=0.30
- Shroud Material: Spcc
- Contact Area Plated: Gold 1~30u" Plated Over Nickel 50u".
- Solder Area Plated: Tin Plated(80u" min Lead Free).

COMPUTER NO.

UNIT

SCALE

PART NAME

SCSI公头-螺丝式 14Pin

mm

1:1

Half Pitch 1.27mm series

APPD.

CKD.

DWG.

DATE

TOLERANCE

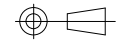
PART NO.

REV

MODEL

GM-系列

PAGE 1 OF 1



GLM

FGD

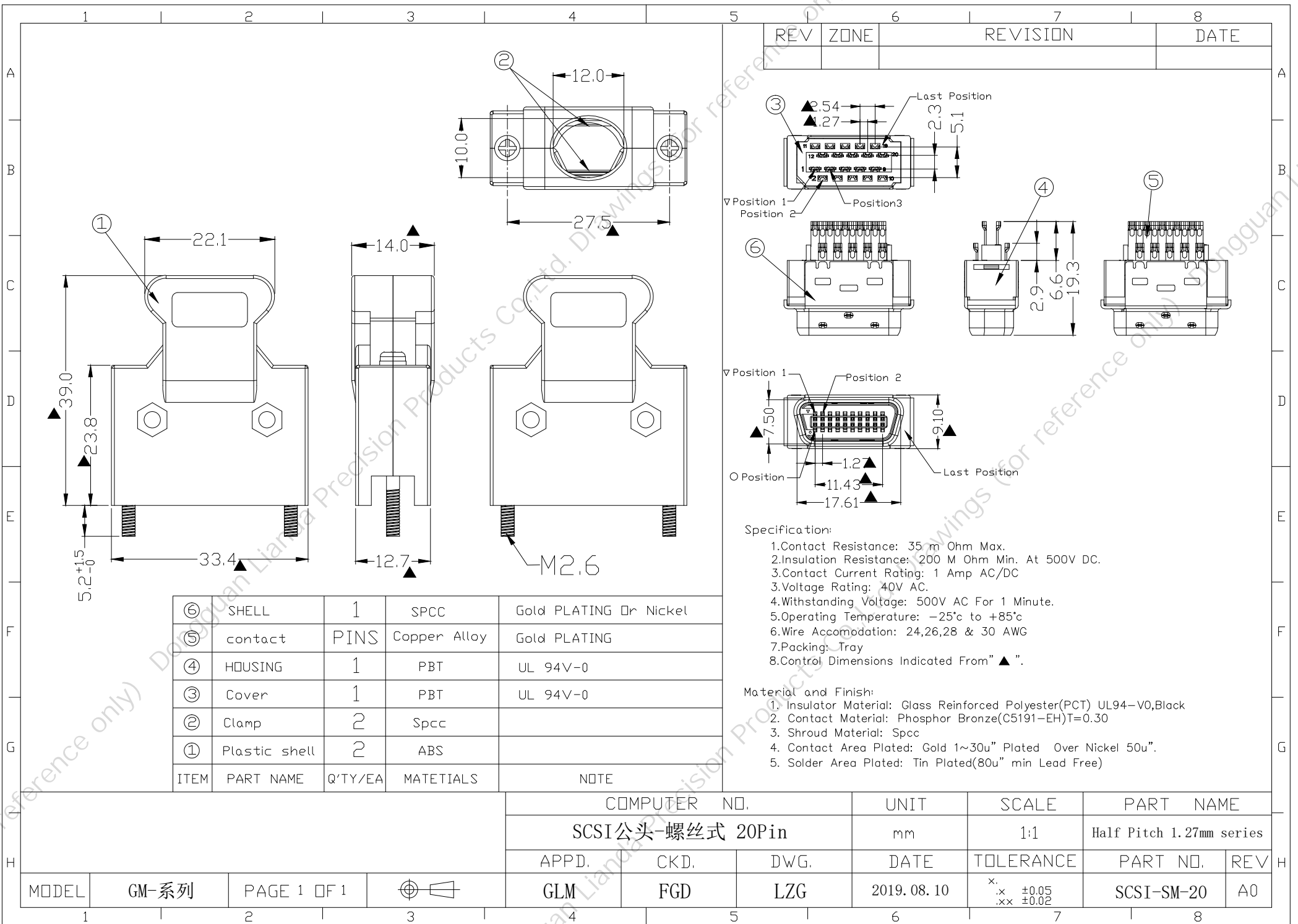
LZG

2019.08.10

.x ±0.05
.xx ±0.02

SCSI-SM-14

A0



REV	ZONE	REVISION	DATE

⑥	SHELL	1	SPCC	Gold PLATING Or Nickel
⑤	contact	PINS	Copper Alloy	Gold PLATING
④	HOUSING	1	PBT	UL 94V-0
③	Cover	1	PBT	UL 94V-0
②	Clamp	2	Spcc	
①	Plastic shell	2	ABS	
ITEM	PART NAME	Q'TY/EA	MATETIALS	NOTE

Specification:

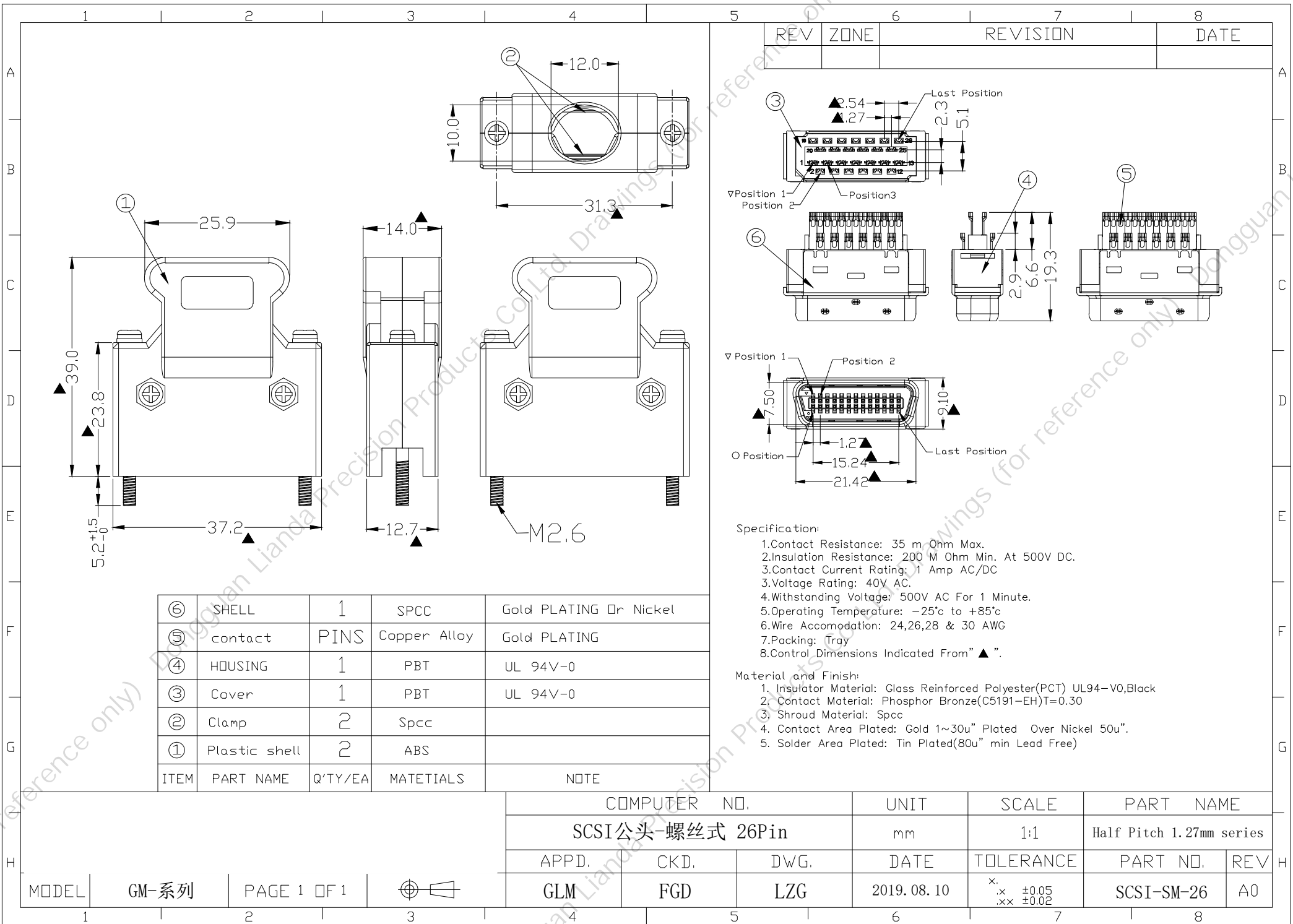
- Contact Resistance: 35 m Ohm Max.
- Insulation Resistance: 200 M Ohm Min. At 500V DC.
- Contact Current Rating: 1 Amp AC/DC
- Voltage Rating: 40V AC.
- Withstanding Voltage: 500V AC For 1 Minute.
- Operating Temperature: -25°C to +85°C
- Wire Accomodation: 24,26,28 & 30 AWG
- Packing: Tray
- Control Dimensions Indicated From "▲".

Material and Finish:

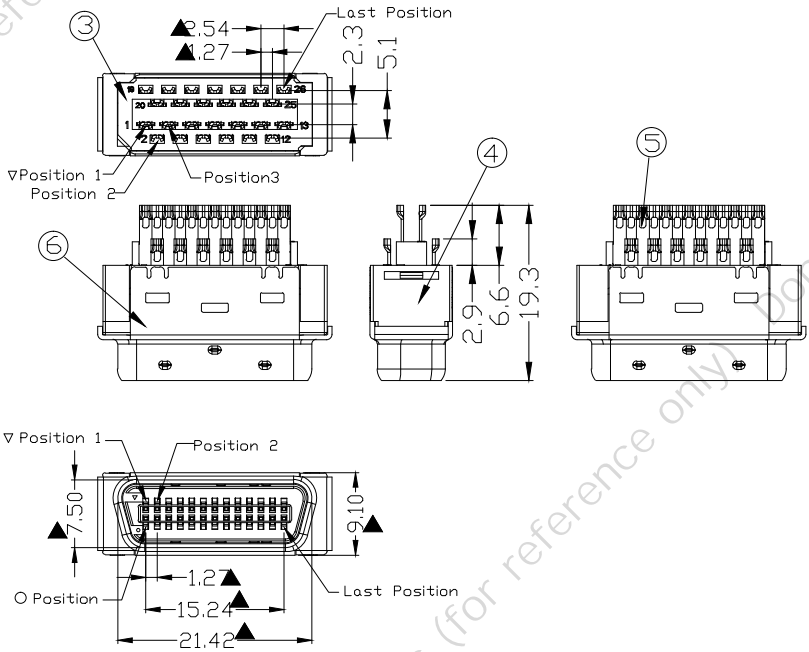
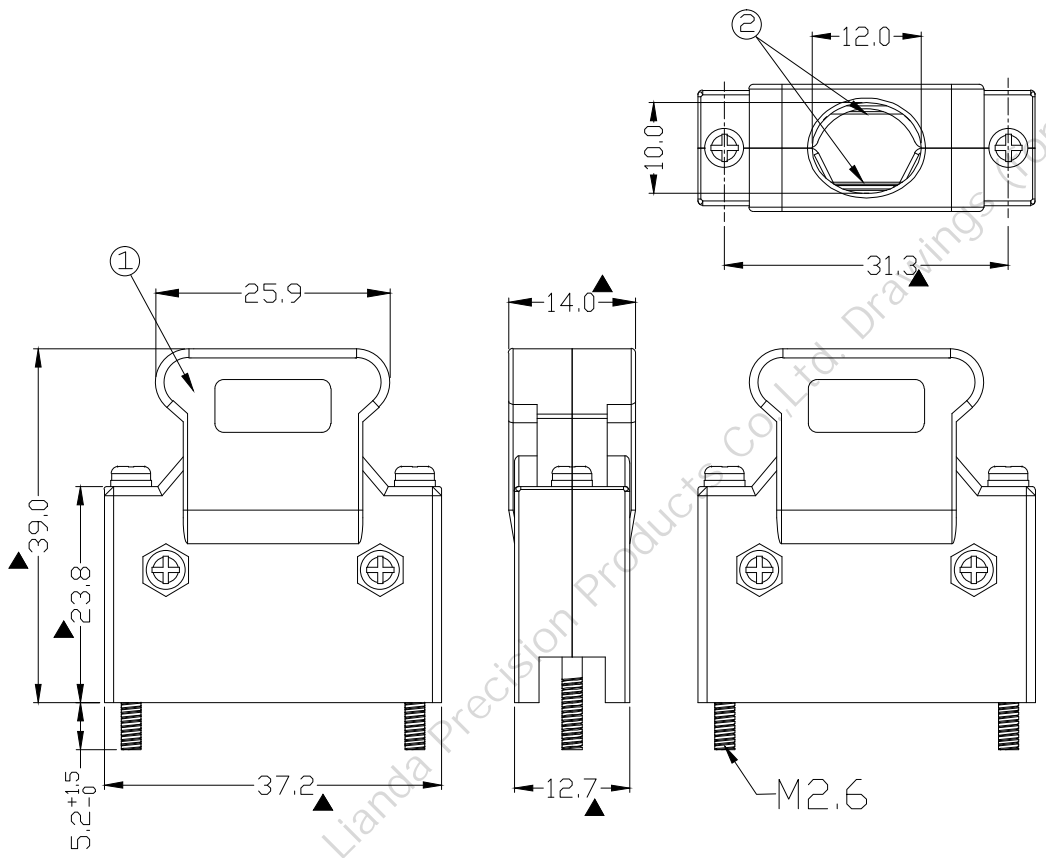
- Insulator Material: Glass Reinforced Polyester(PCT) UL94-V0,Black
- Contact Material: Phosphor Bronze(C5191-EH)T=0.30
- Shroud Material: Spcc
- Contact Area Plated: Gold 1~30u" Plated Over Nickel 50u".
- Solder Area Plated: Tin Plated(80u" min Lead Free)

COMPUTER NO.			UNIT	SCALE	PART NAME	
SCSI公头-螺丝式 20Pin			mm	1:1	Half Pitch 1.27mm series	
APPD.	CKD.	DWG.	DATE	TOLERANCE	PART NO.	REV
GLM	FGD	LZG	2019.08.10	.x ±0.05 .xx ±0.02	SCSI-SM-20	A0

MODEL	GM-系列	PAGE 1 OF 1	
1	2	3	4



REV	ZONE	REVISION	DATE



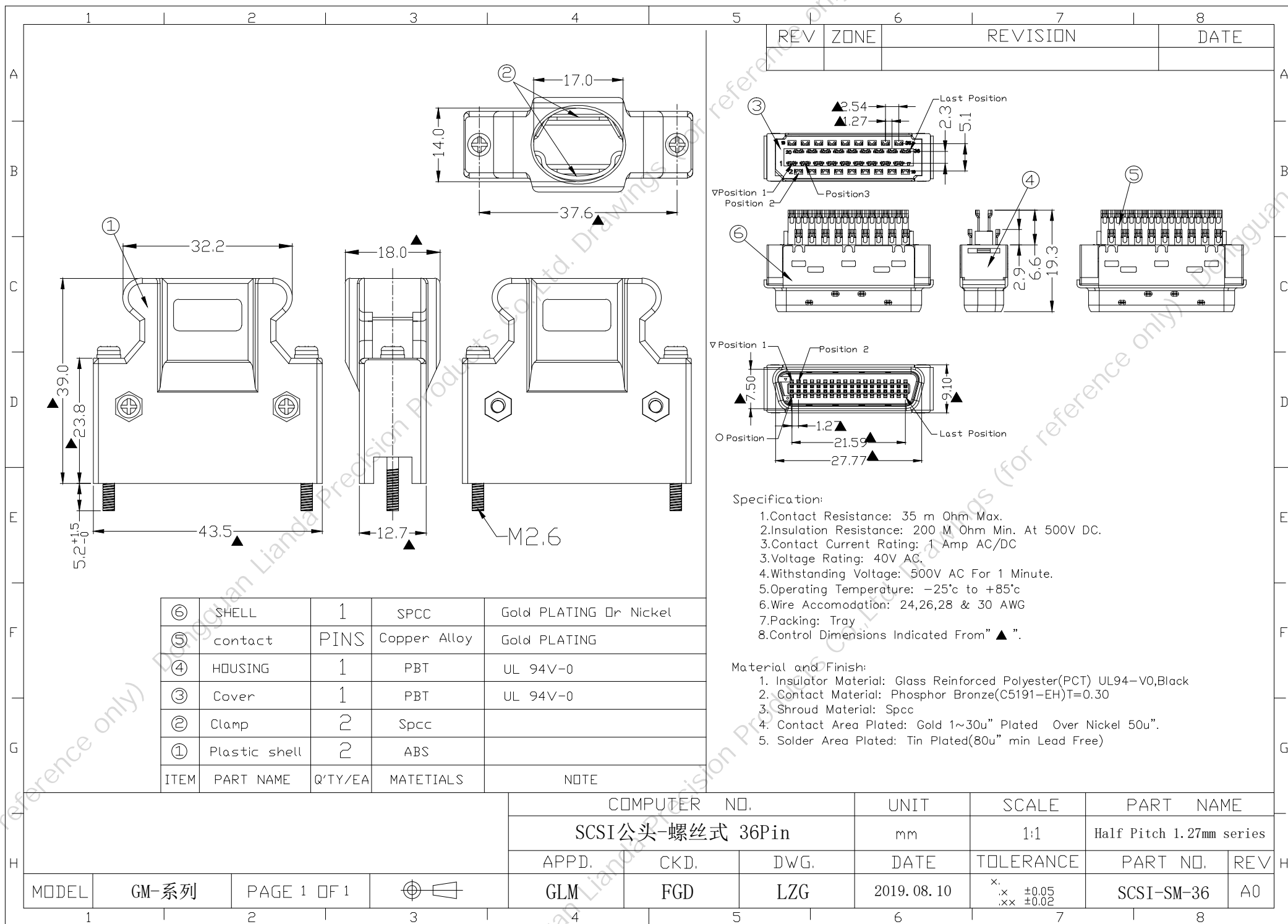
⑥	SHELL	1	SPCC	Gold PLATING Or Nickel
⑤	contact	PINS	Copper Alloy	Gold PLATING
④	HOUSING	1	PBT	UL 94V-0
③	Cover	1	PBT	UL 94V-0
②	Clamp	2	Spcc	
①	Plastic shell	2	ABS	
ITEM	PART NAME	Q'TY/EA	MATETIALS	NOTE

- Specification:
- Contact Resistance: 35 m Ohm Max.
 - Insulation Resistance: 200 M Ohm Min. At 500V DC.
 - Contact Current Rating: 1 Amp AC/DC
 - Voltage Rating: 40V AC.
 - Withstanding Voltage: 500V AC For 1 Minute.
 - Operating Temperature: -25°C to +85°C
 - Wire Accomodation: 24,26,28 & 30 AWG
 - Packing: Tray
 - Control Dimensions Indicated From "▲".

- Material and Finish:
- Insulator Material: Glass Reinforced Polyester(PCT) UL94-V0,Black
 - Contact Material: Phosphor Bronze(C5191-EH)T=0.30
 - Shroud Material: Spcc
 - Contact Area Plated: Gold 1~30u" Plated Over Nickel 50u".
 - Solder Area Plated: Tin Plated(80u" min Lead Free)

COMPUTER NO.			UNIT	SCALE	PART NAME	
SCSI公头-螺丝式 26Pin			mm	1:1	Half Pitch 1.27mm series	
APPD.	CKD.	DWG.	DATE	TOLERANCE	PART NO.	REV
GLM	FGD	LZG	2019.08.10	.x ±0.05 .xx ±0.02	SCSI-SM-26	A0

MODEL	GM-系列	PAGE 1 OF 1	
-------	-------	-------------	--



REV	ZONE	REVISION	DATE

⑥	SHELL	1	SPCC	Gold PLATING Or Nickel
⑤	contact	PINS	Copper Alloy	Gold PLATING
④	HOUSING	1	PBT	UL 94V-0
③	Cover	1	PBT	UL 94V-0
②	Clamp	2	Spcc	
①	Plastic shell	2	ABS	
ITEM	PART NAME	Q'TY/EA	MATETIALS	NOTE

Specification:

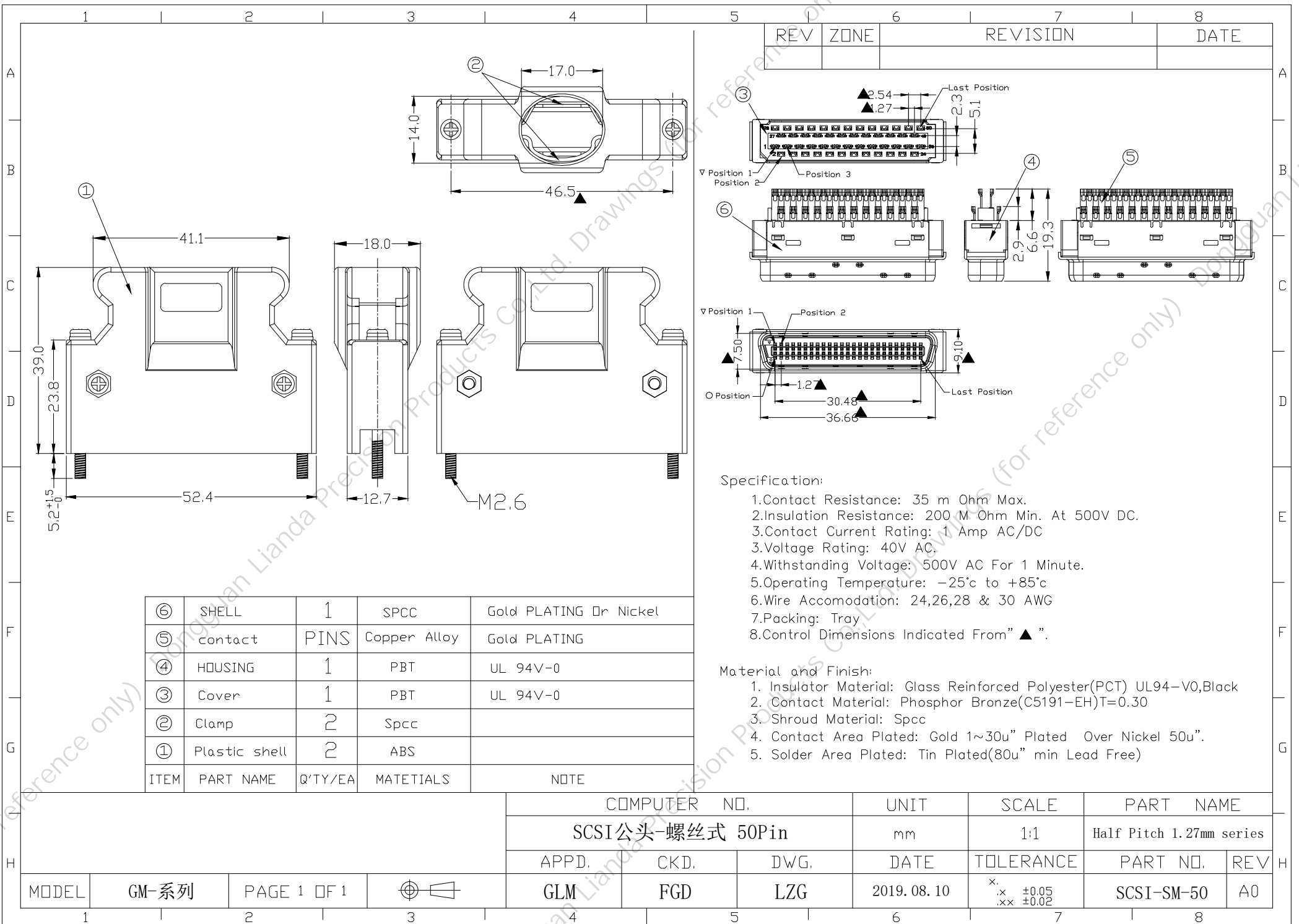
- 1.Contact Resistance: 35 m Ohm Max.
- 2.Insulation Resistance: 200 M Ohm Min. At 500V DC.
- 3.Contact Current Rating: 1 Amp AC/DC
- 3.Voltage Rating: 40V AC.
- 4.Withstanding Voltage: 500V AC For 1 Minute.
- 5.Operating Temperature: -25°C to +85°C
- 6.Wire Accomodation: 24,26,28 & 30 AWG
- 7.Packing: Tray
- 8.Control Dimensions Indicated From "▲".

Material and Finish:

1. Insulator Material: Glass Reinforced Polyester(PCT) UL94-V0,Black
2. Contact Material: Phosphor Bronze(C5191-EH)T=0.30
- 3.Shroud Material: Spcc
4. Contact Area Plated: Gold 1~30u" Plated Over Nickel 50u".
5. Solder Area Plated: Tin Plated(80u" min Lead Free)

COMPUTER NO.			UNIT	SCALE	PART NAME	
SCSI公头-螺丝式 36Pin			mm	1:1	Half Pitch 1.27mm series	
APPD.	CKD.	DWG.	DATE	TOLERANCE	PART NO.	REV
GLM	FGD	LZG	2019.08.10	.x ±0.05 .xx ±0.02	SCSI-SM-36	A0

MODEL	GM-系列	PAGE 1 OF 1	
-------	-------	-------------	--



REV	ZONE	REVISION	DATE

⑥	SHELL	1	SPCC	Gold PLATING Or Nickel
⑤	contact	PINS	Copper Alloy	Gold PLATING
④	HOUSING	1	PBT	UL 94V-0
③	Cover	1	PBT	UL 94V-0
②	Clamp	2	Spcc	
①	Plastic shell	2	ABS	
ITEM	PART NAME	Q'TY/EA	MATETIALS	NOTE

Specification:

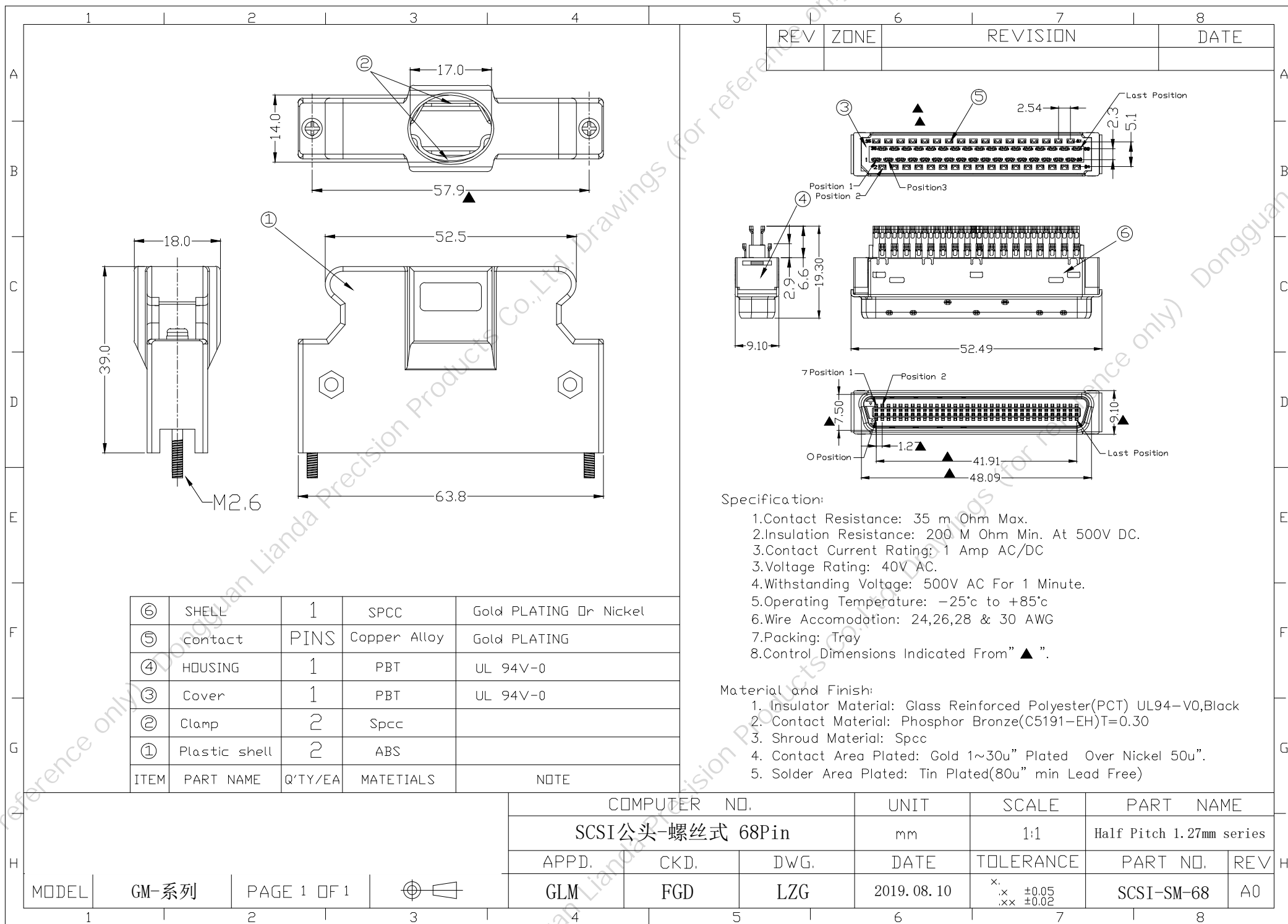
- 1.Contact Resistance: 35 m Ohm Max.
- 2.Insulation Resistance: 200 M Ohm Min. At 500V DC.
- 3.Contact Current Rating: 1 Amp AC/DC
- 3.Voltage Rating: 40V AC.
- 4.Withstanding Voltage: 500V AC For 1 Minute.
- 5.Operating Temperature: -25°C to +85°C
- 6.Wire Accomodation: 24,26,28 & 30 AWG
- 7.Packing: Tray
- 8.Control Dimensions Indicated From "▲".

Material and Finish:

1. Insulator Material: Glass Reinforced Polyester(PCT) UL94-V0,Black
2. Contact Material: Phosphor Bronze(C5191-EH)T=0.30
3. Shroud Material: Spcc
4. Contact Area Plated: Gold 1~30u" Plated Over Nickel 50u".
5. Solder Area Plated: Tin Plated(80u" min Lead Free)

COMPUTER NO.			UNIT	SCALE	PART NAME	
SCSI公头-螺丝式 50Pin			mm	1:1	Half Pitch 1.27mm series	
APPD.	CKD.	DWG.	DATE	TOLERANCE	PART NO.	REV
GLM	FGD	LZG	2019.08.10	.x ±0.05 .xx ±0.02	SCSI-SM-50	A0

MODEL	GM-系列	PAGE 1 OF 1	
1	2	3	4



REV	ZONE	REVISION	DATE

⑥	SHELL	1	SPCC	Gold PLATING Or Nickel
⑤	Contact	PINS	Copper Alloy	Gold PLATING
④	HOUSING	1	PBT	UL 94V-0
③	Cover	1	PBT	UL 94V-0
②	Clamp	2	Spcc	
①	Plastic shell	2	ABS	
ITEM	PART NAME	Q'TY/EA	MATETIALS	NOTE

- Specification:
- Contact Resistance: 35 m Ohm Max.
 - Insulation Resistance: 200 M Ohm Min. At 500V DC.
 - Contact Current Rating: 1 Amp AC/DC
 - Voltage Rating: 40V AC.
 - Withstanding Voltage: 500V AC For 1 Minute.
 - Operating Temperature: -25°C to +85°C
 - Wire Accomodation: 24,26,28 & 30 AWG
 - Packing: Tray
 - Control Dimensions Indicated From "▲".

- Material and Finish:
- Insulator Material: Glass Reinforced Polyester(PCT) UL94-V0,Black
 - Contact Material: Phosphor Bronze(C5191-EH)T=0.30
 - Shroud Material: Spcc
 - Contact Area Plated: Gold 1~30u" Plated Over Nickel 50u".
 - Solder Area Plated: Tin Plated(80u" min Lead Free)

COMPUTER NO.			UNIT	SCALE	PART NAME	
SCSI公头-螺丝式 68Pin			mm	1:1	Half Pitch 1.27mm series	
APPD.	CKD.	DWG.	DATE	TOLERANCE	PART NO.	REV
GLM	FGD	LZG	2019.08.10	.x ±0.05 .xx ±0.02	SCSI-SM-68	A0